

## Data Sheet

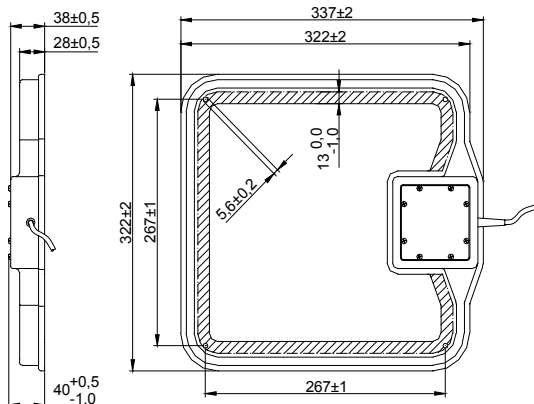
# HF Reader System Series 6000 Gate Antenna



This antenna is a single-loop transmit/receive antenna with pre-set matching electronics for a transmitter frequency of 13.56MHz and impedance of 50Ω.

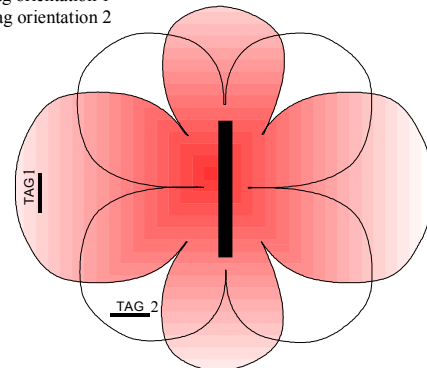
### Specifications:

| Part number            | RI-ANT-T01A  |
|------------------------|--|
| Operating Frequency    | 13.56MHz   |
| Impedance              | 50 Ohm ± 10 Ohm<br>∠ 0° ± 13°                                    |
| Maximum RF power       | 8W   |
| Operating Temperature  | -25°C to +55°C   |
| Storage Temperature    | -25°C to +60°C   |
| Case Material          | Plastic ABS, black   |
| Protection Class       | IP65   |
| Vibration              | According to IEC-68-2-6 (10Hz to 150Hz: 0.15mm/2g)               |
| Shock                  | According to IEC-68-2-27 (acceleration: 30g)                     |
| Dimensions (L x W x H) | 337mm x 322mm x 38mm<br>337mm x 322mm x 40mm (incl. screw heads) |
| Weight                 | 700g   |
| Connector              | SMA male (50 Ohm)  |
| Cable                  | Type: RG58; Length: 3.6m ± 0.1m                                  |



### Readout Pattern

- Tag orientation 1
- Tag orientation 2



For more information, contact the sales office or distributor nearest you. This contact information can be found on our web site at: <http://www.ti-rfid.com>

*Texas Instruments reserves the right to change its products and services at any time without notice. TI provides customer assistance in various technical areas, but does not have full access to data concerning the uses and applications of customers products. Therefore, TI assumes no responsibility for customer product design or for infringement of patents and/or the rights of third parties, which may result from assistance provided by TI.*