



**Label Dispenser**

**HS/VS**

Made in Germany

## - Translation of the Original Version - for the following products

Family	Type		
	HS/VS	HS 60	HS 120
HS 60+		HS 120+	HS 180+
VS 60		VS 120	-
VS 60+		VS 120+	VS 180+

**Edition:** 02/2016 - Part No. 9009292

### Copyright

This documentation as well as translation hereof are property of cab Produkttechnik GmbH & Co. KG.

The replication, conversion, duplication or divulgement of the whole manual or parts of it for other intentions than its original intended purpose demand the previous written authorization by cab.

### Editor

Regarding questions or comments please contact cab Produkttechnik GmbH & Co. KG.

### Topicality

Due to the constant further development of our products discrepancies between documentation and product can occur.

Please check [www.cab.de](http://www.cab.de) for the latest update.

### Terms and conditions

Deliveries and performances are effected under the General conditions of sale of cab.

#### Germany

cab Produkttechnik  
GmbH & Co KG  
Postfach 1904  
D-76007 Karlsruhe  
Wilhelm-Schickard-Str. 14  
D-76131 Karlsruhe  
  
Telefon +49 721 6626-0  
Telefax +49 721 6626-249  
  
[www.cab.de](http://www.cab.de)  
[info@cab.de](mailto:info@cab.de)

#### France

cab technologies s.a.r.l.  
F-67350 Niedermodern  
Téléphone +33 388 722 501  
  
[www.cab.de/fr](http://www.cab.de/fr)  
[info.fr@cab.de](mailto:info.fr@cab.de)

#### USA

cab Technology Inc.  
Tyngsboro MA, 01879  
Phone +1 978 649 0293  
  
[www.cab.de/us](http://www.cab.de/us)  
[info.us@cab.de](mailto:info.us@cab.de)

#### Asia 亚洲

cab Technology Co., Ltd.  
希愛比科技股份有限公司  
Junghe, Taipei, Taiwan  
Phone +886 2 8227 3966  
  
[www.cab.de/tw](http://www.cab.de/tw)  
[info.asia@cab.de](mailto:info.asia@cab.de)

#### China 中国

cab (Shanghai) Trading Co., Ltd.  
锐博(上海)贸易有限公司  
Phone +86 21 6236-3161  
  
[www.cab.de/cn](http://www.cab.de/cn)  
[info.cn@cab.de](mailto:info.cn@cab.de)

<b>1</b>	<b>Introduction</b> .....	<b>4</b>
1.1	Product Description .....	4
1.2	Instructions .....	4
1.3	Intended Use .....	5
1.4	Safety Instructions .....	5
1.5	Environment.....	6
<b>2</b>	<b>Installation</b> .....	<b>7</b>
2.1	Device Overview.....	7
2.2	Unpacking and Setting-up the Device .....	8
2.3	Connecting the Device.....	8
2.3.1	Connecting to the Power Supply .....	8
2.3.2	Connecting to the External Control .....	9
<b>3</b>	<b>Loading Material</b> .....	<b>10</b>
3.1	Loading Labels .....	10
3.2	Adjusting the Present Sensor .....	11
<b>4</b>	<b>Operation</b> .....	<b>12</b>
4.1	HS / VS.....	12
4.1.1	Operation.....	12
4.1.2	Error Treatment .....	13
4.2	HS+ / VS+.....	14
4.2.1	Switching on the Device .....	14
4.2.2	Operation Modes .....	15
4.2.3	Setting Speed.....	16
4.2.4	Resetting Counter .....	16
4.2.5	Error Treatment .....	16
4.2.6	Adjusting the Dispense Plate .....	17
<b>5</b>	<b>EU Declaration of Conformity</b> .....	<b>18</b>

## 1.1 Product Description

The device is a semiautomatic label dispenser for peeling-off and presenting labels from roll for further manual processing.

## 1.2 Instructions

Important information and instructions in this documentation are designated as follows:



### **Danger!**

**Draws your attention to an exceptionally grave, impending danger to your health or life.**



### **Warning!**

**Indicates a hazardous situation that could lead to injuries or material damage.**



### **Attention!**

**Draws attention to possible dangers, material damage or loss of quality.**



### **Notice!**

**Gives you tips. They make a working sequence easier or draw attention to important working processes.**



### **Environment!**

Gives you tips on protecting the environment.



Handling instruction



Reference to section, position, illustration number or document.



Option (accessories, peripheral equipment, special fittings).

### 1.3 Intended Use

- The device is intended exclusively for peeling-off suitable label materials. Any other use or use going beyond this shall be regarded as improper use. The manufacturer/supplier shall not be liable for damage resulting from unauthorized use; the user shall bear the risk alone.
- The device is manufactured in accordance with the current technological status and the recognized safety rules. However, danger to the life and limb of the user or third parties and/or damage to the device and other tangible assets can arise during use.
- The device may only be used for its intended purpose and if it is in perfect working order, and it must be used with regard to safety and dangers as stated in the operating manual.
- Usage for the intended purpose also includes complying with the operating manual, including the manufacturer's maintenance recommendations and specifications.

**Notice!**

**The complete documentation can also currently be found in the Internet.**

### 1.4 Safety Instructions

- The device is configured for voltages of 100 to 240 V AC. It only has to be plugged into a grounded socket.
- Switch off all affected devices before connecting or disconnecting.
- The device may only be used in a dry environment, do not expose it to moisture (sprays of water, mists, etc.).
- Do not use the device in an explosive atmosphere.
- Do not use the device close to high-voltage power lines.
- Ensure that people's clothing, hair, jewelry etc. do not come into contact with the exposed rotating parts.
- Perform only those actions described in this operating manual. Work going beyond this may only be performed by trained personnel or service technicians.
- Unauthorized interference with electronic modules or their software can cause malfunctions.
- Other unauthorized work on or modifications to the device can also endanger operational safety.
- Always have service work done in a qualified workshop, where the personnel have the technical knowledge and tools required to do the necessary work.

- There are various warning stickers on the device. They draw your attention to dangers.  
Warning stickers must therefore not be removed, as then you and other people cannot be aware of dangers and may be injured.
- The maximum sound pressure level is less than 70 dB(A).

**Danger!**

**Danger to life and limb from power supply.**

- ▶ **Do not open the device casing.**



**Notice for Service :**

**Danger!**

**Double pol/neutral fusing !**

## 1.5 Environment



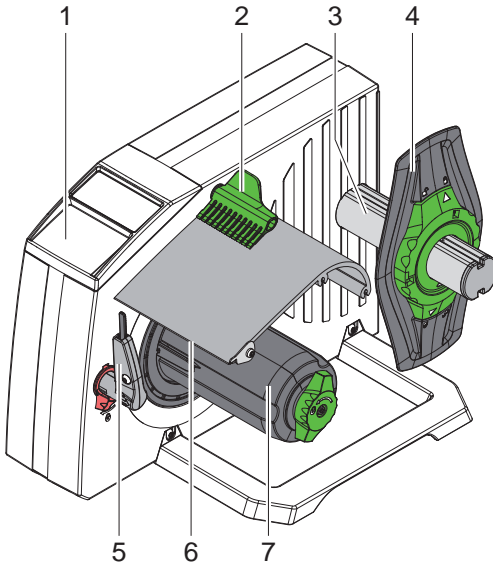
Obsolete devices contain valuable recyclable materials that should be sent for recycling.

- ▶ Send to suitable collection points, separately from residual waste.

The modular construction of the device enables it to be easily disassembled into its component parts.

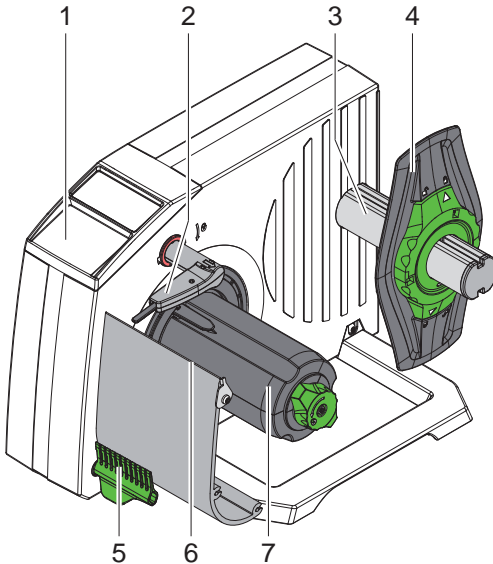
- ▶ Send the parts for recycling.

### 2.1 Device Overview



- 1 Control Panel
- 2 Brake
- 3 Roll retainer
- 4 Margin stop
- 5 Present sensor
- 6 Dispense plate
- 7 Rewinder

Fig. 1 Overview HS / HS+



- 1 Control Panel
- 2 Present sensor
- 3 Roll retainer
- 4 Margin stop
- 5 Brake
- 6 Dispense plate
- 7 Rewinder

Fig. 2 Overview VS / VS+

## 2.2 Unpacking and Setting-up the Device

- ▶ Lift the device out of the box and set it up on a level surface.
- ▶ Check device for damage which may have occurred during transport.
- ▶ Check delivery for completeness.

Contents of Delivery:

- Label Dispenser
- Margin Stop
- Power Cable Type E+F
- Operator's Manual German / English



### Notice!

**Please keep the original packaging in case the device must be returned.**



### Attention!

**The device and materials will be damaged by moisture and wetness.**

- ▶ **Set up the device only in dry locations protected from splashed water.**

## 2.3 Connecting the Device

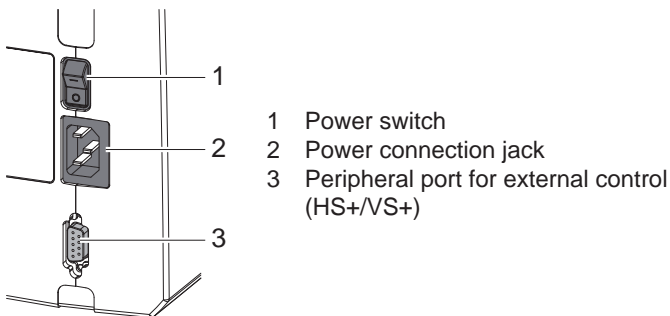


Fig. 3 Connections

### 2.3.1 Connecting to the Power Supply

The device is equipped with a wide area power unit for a supply voltage of 100 V to 240 V.

1. Check that the device is switched off.
2. Plug the power cable into the power connection jack (2).
3. Plug the power cable into a grounded socket.



### 2.3.2 Connecting to the External Control

\* for devices with peripheral port only

The peripheral port allows to control the device in a network.

1. Check that the device is switched off.
2. Connect the external control to the 9 pin SUB-D connector of the peripheral port (3 / Fig. 3):

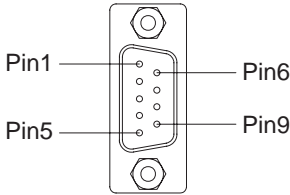


Fig. 4 Peripheral port

Pin	Signal	Direction	Function	Activation / Active state
1	ERROR	Output	Error	0V at Pin
2	ESP	Output	Label in peel position	+24V at Pin
3	EXTGND	(Input)	External ground (0V)	
4	STRT	Input	Start	Switch on +24V
5	EXTAN	Input	Evaluation STRT	Connect with Pin 9 !!!
6	EXT24P	(Input)	External voltage 24V	
7	-	-	do not use	
8	-	-	do not use	
9	INTGND	(Output)	Internal ground (0V)	

Table 1 Pin assignment of the peripheral port

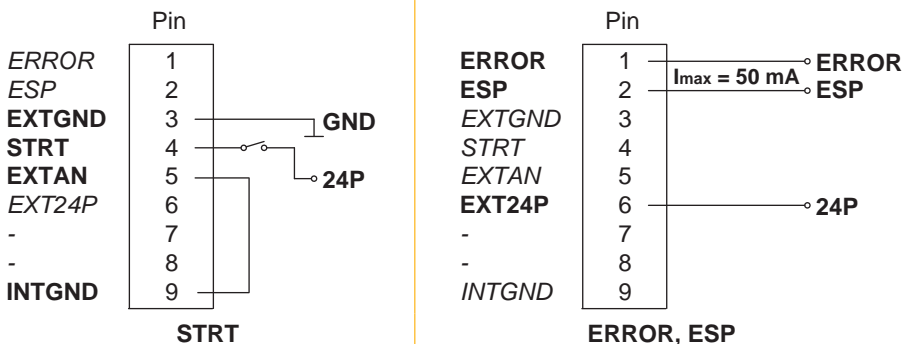


Fig. 5 External minimum circuit

## 3.1 Loading Labels

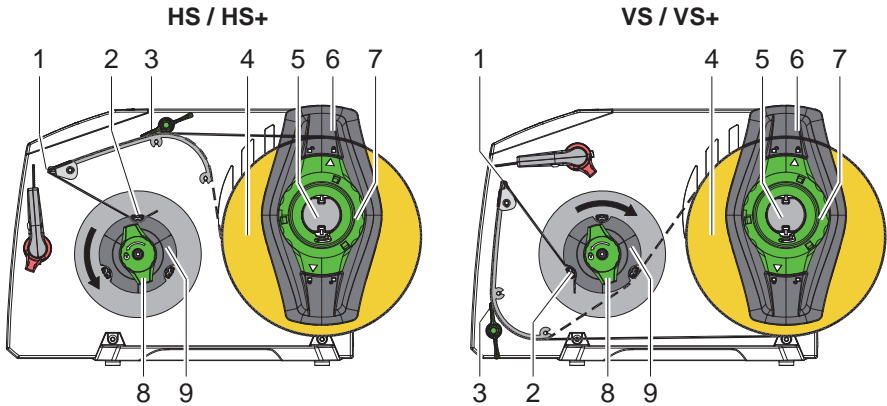




Fig. 6 Loading labels

1. Turn ring (7) counterclockwise, so that the arrows points to the symbol , and thus release the margin stop (6) from the roll retainer (5).
2. Load label roll (4) on the roll retainer (5) in such a way that the labels are visible from above at HS 120 / from below at VS 120.
3. Re-mount the margin stop (6) and push against the label roll as far as possible.
4. Turn ring (7) clockwise, so that the arrow points to the symbol , and thus fix the margin stop (6) on the roll retainer (5).
5. Swing away the brake (3).
6. Remove the labels manually from the label strip on the first 20 cm.
7. Guide label strip over the dispense plate (1) to the rewriter (9) as shown in figure 6. The broken line shows the path for inside wound labels.
8. Hold rewriter (9) firmly and turn knob (8) clockwise until it stops.
9. Push liner under a bracket (2) of the rewriter (9) and turn knob (8) counterclockwise until it stops.  
The rewriter is fully spread, thus gripping the liner firmly.
10. Swing the brake (3) against the label strip.
11. Adjust the present sensor..

#### 3.2 Adjusting the Present Sensor

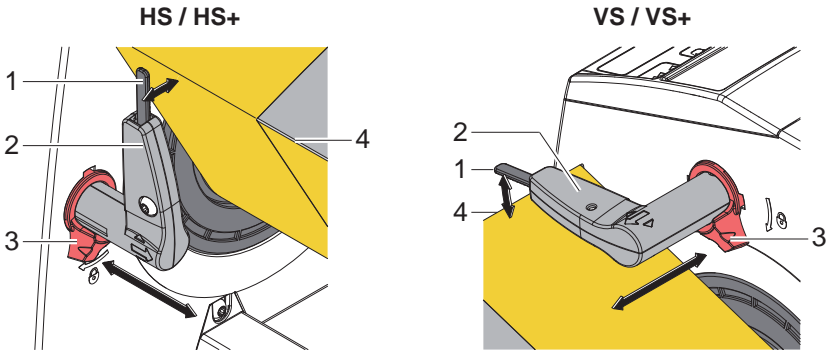


Fig. 7 Adjusting the present sensor

Reaching the peel position will be recognized by displacement of the feeler (1) by the label to be peeled-off.

1. Release the present sensor (2) by turning the knob (3) counterclockwise.
2. Move the present sensor (2) sideward to adapt the sensor position to width and shape of the labels.
3. Swing the present sensor (2) to adjust the distance between feeler (1) and dispense plate (4).
4. Hold the sensor (2) firmly in the needed position and fix it by turning the knob (3) clockwise.

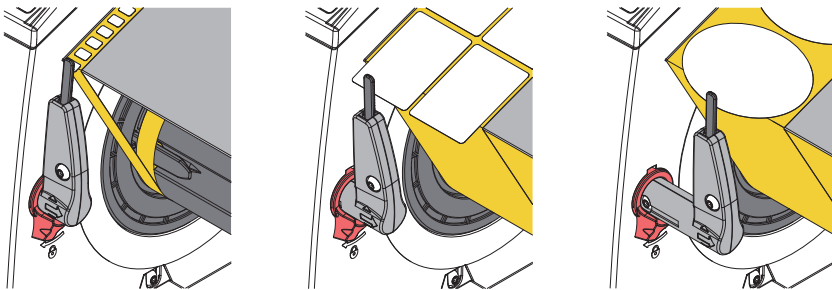


Fig. 8 Sensor settings

## 4.1 HS / VS

### 4.1.1 Operation

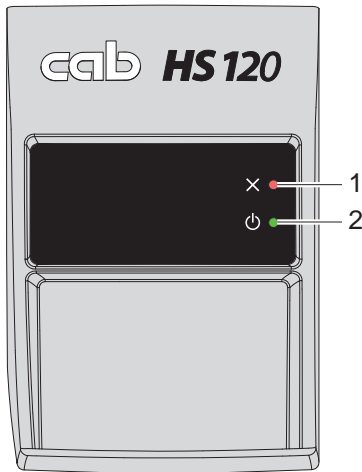
- ▶ Switch the device on at the power switch (1 / Fig. 3).  
The green LED (2) lights up.  
The first label will immediately be fed to the peel position.
- ▶ Take the label.  
The next label will be fed to the peel position.



#### Attention!

Risk of unintended start-up.

- ▶ Do not touch the feeler of the present sensor excepting the error treatment.



#### Display

- 1 Error
- 2 Ready / Label in peel position

Fig. 9 Control panel HS / VS

**4.1.2 Error Treatment**

If no label is detected by the present sensor within 5 seconds after starting the peel-off operation, the label transport will be stopped and an error will be signaled :

- The red LED (1) is flashing.

<b>Cause</b>	<b>Remedy</b>
Out of labels	Insert new material
The peeled label does not activate the present sensor	Adjust present sensor

Table 2 Fault Correction

- ▶ Rectify error.
- ▶ Continue operation by releasing the present sensor manually.

## 4.2 HS+ / VS+

### 4.2.1 Switching on the Device



#### Attention!

Risk of button malfunction.

- ▶ Do not touch the buttons when switching on the device.

- ▶ Switch the device on at the power switch (1 / Fig. 3).

The device starts up in the operation mode "Peel-off on demand"

Counter and speed setting are in the state of the last switching-off.

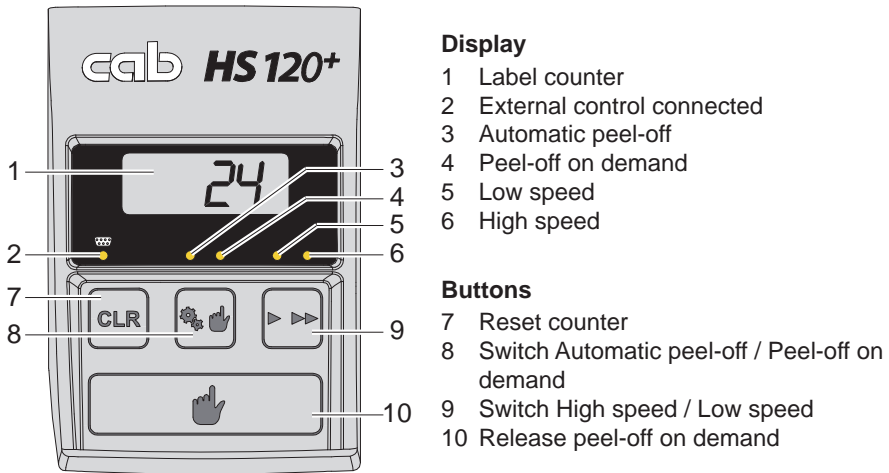



Fig. 10 Control panel HS+ / VS+

### 4.2.2 Operation Modes

- ▶ Check the operation mode by means of the LEDs (2 / 3 / 4).
- ▶ Touch button  for changing the operation mode.

#### Automatic Peel-Off

- ▶ After switching in the "Automatic peel-off" mode the first label will immediately be fed to the peel position.
- ▶ Take the label.  
The next label will be fed to the peel position.





#### Attention!

##### Risk of unintended start-up.

- ▶ **Do not touch the feeler of the present sensor excepting the error treatment.**

#### Peel-Off on Demand

- ▶ For peeling-off a label touch button  .
- ▶ Take the label.
- ▶ For peeling-off the next label touch button  again.

#### Peel-Off on Demand with External Control

- \* for devices with peripheral port only

If an external control is connected LED (2) is illuminated.




#### Notice!

**With an external control connected the device cannot be switched to the "Automatic peel-off" mode.**

**The release button  has no function.**

- ▶ Send a start signal.  
A label will be fed to the peel position
- ▶ Take the label.
- ▶ Send a new start signal.

### 4.2.3 Setting Speed

- ▶ Check the chosen speed by means of the LEDs (5 / 6).
- ▶ Touch button  for changing the speed setting.

### 4.2.4 Resetting Counter

- ▶ Touch button  for resetting the counter.


### 4.2.5 Error Treatment

If no label is detected by the present sensor within 5 seconds after starting the peel-off operation, the label transport will be stopped and an error will be signalized :

- The counter display is flashing.
- The LED for the chosen operation mode is flashing.

Cause	Remedy
Out of labels	Insert new material
The peeled label does not activate the present sensor	Adjust present sensor
Material transport is interrupted	Reduce speed
	Remove material from rewinder

Table 2 Fault Correction

- ▶ Rectify error.
- ▶ Continue operation by touching button  respectively sending a start signal or releasing the present sensor manually.



4.2.6 Adjusting the Dispense Plate

The label material must run parallel to the chassis, failing this :

- ▶ Loosen screw (2).
- ▶ If the material (1) runs away from the chassis, pull the dispense plate a little out of the guiding (4).
- ▶ If the material (1) runs against the chassis, push the dispense plate a little into the guiding (4).
- ▶ Tighten screw (2) .
- ▶ Dispense several labels to test the material run.

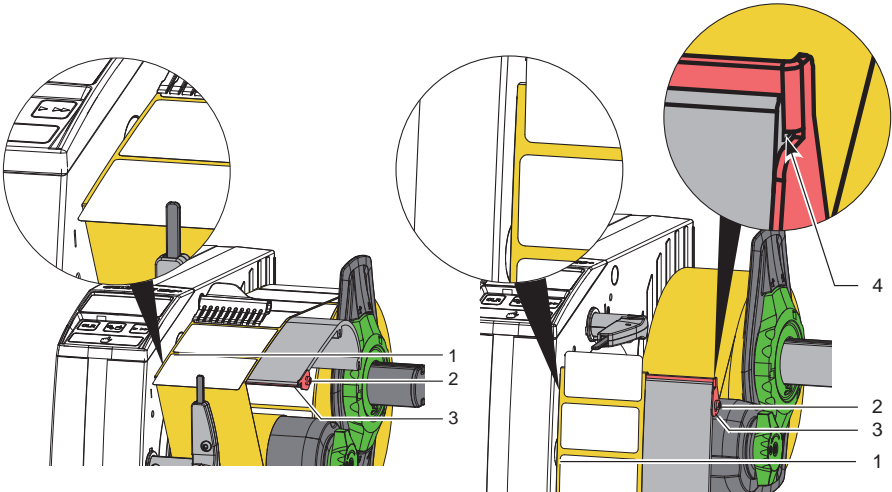


Fig. 11 Material run

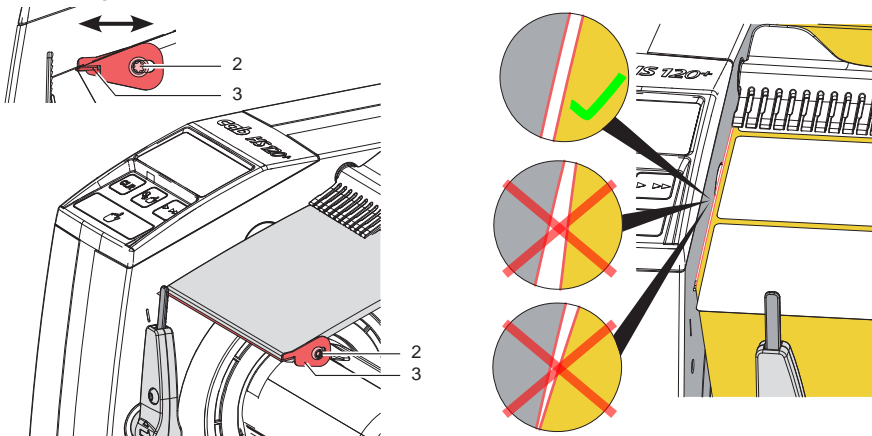



Fig. 12 Adjusting the dispense plate



cab Produkttechnik  
 GmbH & Co KG  
 Wilhelm-Schickard-Str. 14  
 D-76131 Karlsruhe,  
 Germany

## EU Declaration of Conformity

We declare herewith that the following device as a result of design, construction and the version put in circulation complies with the relevant fundamental regulations of the EU Rules for Safety and Health. In the event of any alteration which has not been approved by us being made to any device as designated below, this statement shall thereby be made invalid.

Device:	<b>Label Dispenser</b>
Type:	<b>HS 60, VS 60, HS 120, VS 120          HS 60+, VS 60+, HS 120+, VS 120+          HS 180+, VS 180+</b>
Applied EU Regulations and Standards:	Applied Standards:
<b>Directive 2006/42/EC on machinery</b>	<ul style="list-style-type: none"> <li>• EN ISO 12100:2010</li> <li>• EN ISO 13849-1:2008</li> <li>• EN 60204-1:2006+A1:2009</li> </ul>
<b>Directive 2014/30/EU relating to electro-magnetic compatibility</b>	<ul style="list-style-type: none"> <li>• EN 61000-3-2:2006+A1:2009+A2:2009</li> <li>• EN 61000-3-3:2008</li> <li>• EN 61000-6-1:2007</li> <li>• EN 61000-6-2:2005</li> <li>• EN 61000-6-3:2007+A1:2011</li> </ul>
<b>Directive 2011/65/EU on the restriction of the use of certain hazardous substances in electrical and electronic equipment</b>	<ul style="list-style-type: none"> <li>• EN 50581:2012</li> </ul>
Person authorised to compile the technical file :	<b>Erwin Fascher          Am Unterwege 18/20          99610 Sömmerda</b>
Signed for, and on behalf of the Manufacturer :	<b>Sömmerda, 01.02.2016</b>
<b>cab Produkttechnik Sömmerda          Gesellschaft für Computer-          und Automationsbausteine mbH          99610 Sömmerda</b>	 <b>Erwin Fascher          Managing Director</b>