

ACUMAX® sealed maintenance-free lead-acid battery AML series



AML 55-12

- uninterruptible power supplies
- telecom power supply systems
- telecommunication PABX
- power station
- fire and security systems
- solar powered systems
- emergency lighting systems
- cable TV

Technical data

Nominal voltage	12 V
Nominal capacity	55 Ah/ C ₂₀
Design life	8 years @ 25°C 10-12 years @ 20°C according to Eurobat, Long Life group
Weight	~ 17.3 kg
Dimensions	
Height	203 mm
Length	229 mm
Width	138 mm
Internal resistance	≤ 5.0 mΩ
Charging voltage @ 25°C	
Standby use	13.65 V ± 0.15 V
Cycle use	14.70 V ± 0.30 V
Charging current	
Recommended	5.5 A
Maximum	16.5 A
Max. discharge current (5s)	825 A
Container material	
Standard	ABS UL 94-HB
Optional (Flame-retardant)	ABS UL 94-V0

Battery approved for transportation by air, sea or land. Classified as non-hazardous material: *IATA/ICAO Special Provision A67, DOT-CFR Title 49 parts 171-189, IMDG amendment 27.*

Constant current discharge (Current [A], 25 [°C] / 77 [°F])

U _f [V/cell]	Discharge time												
	5 min	10 min	15 min	20min	30 min	45 min	1h	2h	3h	4h	6h	8h	10h
1,80	178,2	126,9	102,7	85,0	61,5	43,7	34,2	20,0	14,2	11,2	7,97	6,33	5,26
1,75	205,9	140,4	112,4	91,4	64,7	45,6	35,4	20,6	14,6	11,4	8,13	6,45	5,36
1,70	223,2	150,5	120,8	96,9	68,0	47,3	36,6	21,0	15,0	11,7	8,32	6,59	5,45

Constant power discharge (Power [W/cell], 25 [°C] / 77 [°F])

U _f [V/cell]	Discharge time												
	5 min	10 min	15 min	20min	30 min	45 min	1h	2h	3h	4h	6h	8h	10h
1,75	392,4	269,3	217,0	177,4	126,3	89,6	70,0	41,0	29,2	22,9	16,4	13,1	10,9
1,70	420,4	285,5	230,4	186,0	131,4	92,0	71,8	41,4	29,7	23,3	16,7	13,3	11,0
1,67	451,8	302,0	239,8	192,4	134,7	94,7	73,7	42,3	30,0	23,6	16,9	13,4	11,2

U_f - Final voltage



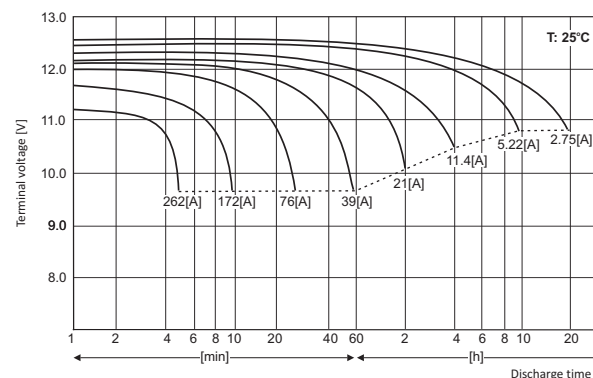
ACUMAX®

Change no: 4/2016.06

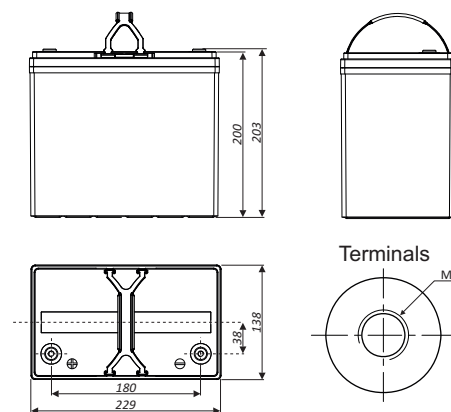
Main applications

- marine
- golf-carts, wheelchairs
- mobile and portable equipment
- medical equipment

Discharge characteristics



Dimensions



Tolerance: +/- 2mm;