

Value in Detection

S100 Universal Miniature Photoelectric Sensors

Standard miniature case 20x32x12mm

All universal optic functions without any setting needs

Through-beam 12m
Retroreflective 8m
Polarized 2m and 5m
Diffuse 30 and 50cm
Fixed Focus 70mm
Backgr. Suppr. 100mm

Visible Red LED emission for an easier adjustment



Bright Yellow LED output indicator

M3x4 slotted holes on the back side

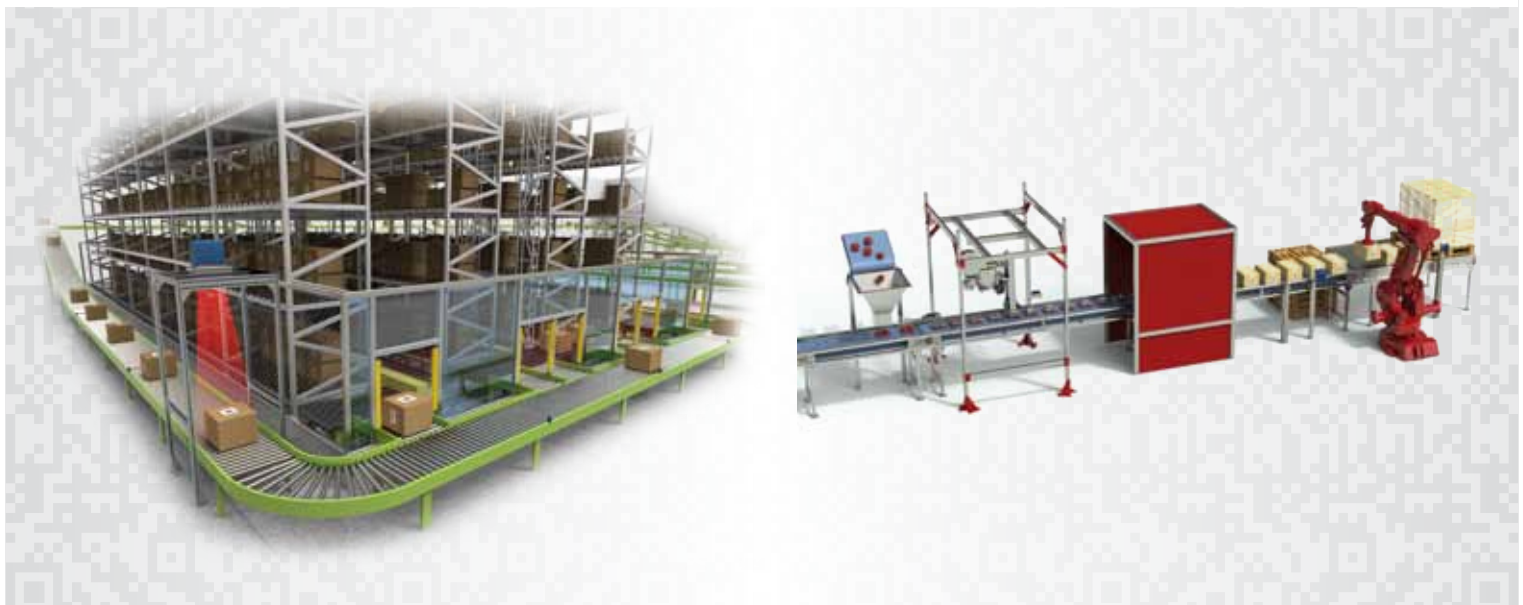
M3 threaded holes on the front side

NPN or PNP output on pin 4
Light/Dark selection on pin 2

M8 connector or 2m cable

- **COST SAVING:** BEST MARKET PRICE EVER
- **SPACE SAVING:** STANDARD MINIATURE DIMENSION AND UNIVERSAL MOUNTING
- **TIME SAVING:** QUICK AND EASY MECHANICAL AND ELECTRICAL INSTALLATION

The very competitive price and ease of installation make the new **S100** the preferred sensor for production and packaging machines, conveyors, automated warehousing and intra-logistic lines that require many sensors in different points, with universal mounting and without the need to adjust each unit during the installation.

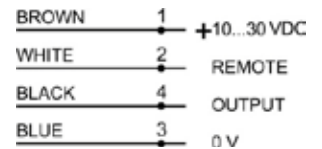
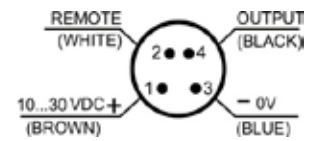
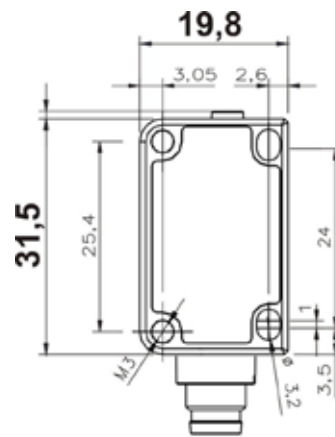


Optic function	Operating distance	Cable Version		M8 connector version	
		PNP	NPN	PNP	NPN
Through beam	12 m	S100-PR-2-FG00-PK	S100-PR-2-FG00-NK	S100-PR-5-FG00-PK	S100-PR-5-FG00-NK
		950811110	950811100	950811250	950811240
Polarized retroreflective (short range)	2 m	S100-PR-2-B00-PK	S100-PR-2-B00-NK	S100-PR-5-B00-PK	S100-PR-5-B00-NK
		950811030	950811020	950811170	950811160
Polarized retroreflective (long range)	5 m	S100-PR-2-B10-PK	S100-PR-2-B10-NK	S100-PR-5-B10-PK	S100-PR-5-B10-NK
		950811290	950811280	950811310	950811300
Retroreflective	8 m	S100-PR-2-A00-PK	S100-PR-2-A00-NK	S100-PR-5-A00-PK	S100-PR-5-A00-NK
		950811010	950811000	950811150	950811140
Diffuse (short range)	300 mm	S100-PR-2-C00-PK	S100-PR-2-C00-NK	S100-PR-5-C00-PK	S100-PR-5-C00-NK
		950811050	950811040	950811190	950811180
Diffuse (long range)	500 mm	S100-PR-2-C10-PK	S100-PR-2-C10-NK	S100-PR-5-C10-PK	S100-PR-5-C10-NK
		950811070	950811060	950811210	950811200
Background suppression	100 mm	S100-PR-2-M00-PH	S100-PR-2-M00-NH	S100-PR-5-M00-PH	S100-PR-5-M00-NH
		950811130	950811120	950811270	950811260
Fixed focus	70 mm	S100-PR-2-D00-PK	S100-PR-2-D00-NK	S100-PR-5-D00-PK	S100-PR-5-D00-NK
		950811090	950811080	950811230	950811220

TECHNICAL SPECIFICATIONS

Power supply	10...30 Vdc
Current consumption	20 mA
Light emission	Red, I.R. * LED
Indicators	yellow LED (OUTPUT)
Remote setting	Pin 2: L/D remote selection, or External teach-in for background suppression
Output	NPN or PNP
Housing material	Plastic (PBT)
Lens material	Plastic (PMMA)
Certification	CE, cULus
Operating temperature	-20...+55°C
Storage temperature	-20...+70°C
Mechanical protection	IP67

* Through beam emitter and non polarized retroreflective



Product and Company names and logos referenced may be either trademarks or registered trademarks of their respective companies. We reserve the right to make modifications and improvements.