

EUROPOWER sealed lead-acid battery EC type

**FOR CYCLE
USE!**

● Specification & Characteristics

| | | |
|--------------------------------|-------------------|-----------------------------------|
| Model | | EC 80-12 |
| Nominal voltage | | 12 [V] |
| Rated capacity | | 80 [Ah] / 20 [hr] |
| Dimensions | Container Height | 238 [mm] |
| | Length | 329 [mm] |
| | Width | 172 [mm] |
| Weight | | approx. 33,5 [kg] |
| Capacity 25 [°C] | 20 [hr] 4,0 [A] | 80,0 [Ah] |
| | 10 [hr] 7,6 [A] | 76,0 [Ah] |
| | 5 [hr] 13,6 [A] | 68,0 [Ah] |
| | 30 [min] 80,0 [A] | 40,0 [Ah] |
| Internal resistance | | Approx. 5 [mΩ] |
| Max. Discharge current | | 800 [A] (5 [s]) |
| Charging voltage 20 [°C] | Standby use | 13,5 to 13,8 [V] (-20 [mV/°C]) |
| | Cycle use | 14,4 to 15 [V] (-30 [mV/°C]) |
| Max. Charging current | | 24 [A] |
| Recommended charging current | | 8,0 [A] |

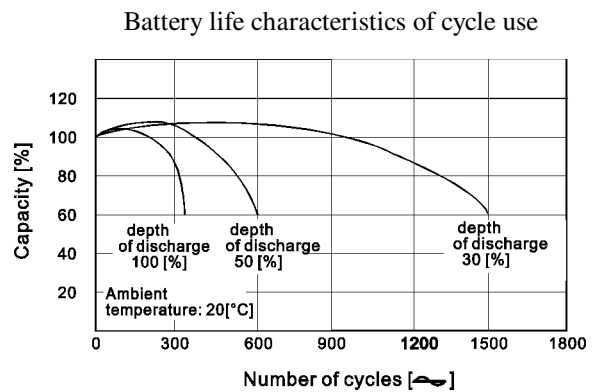
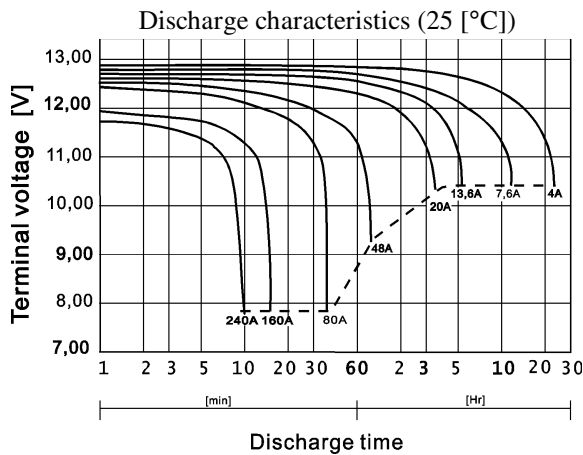
EC 80-12

EUROPOWER batteries are made in AGM technology, constructed by plates, separators, safety valves and container. Since the electrolyte is held by a glass-mat separator and plates, batteries can use in any direction without leakage

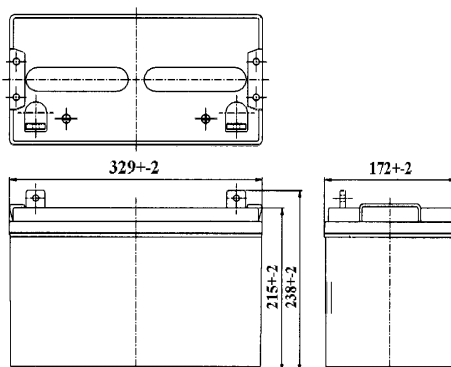
EC types batteries have been designed for **cycle use** (repeated cycles of discharging/charging). They sustain for **50 % cycles more** than EP types batteries.

Typical applications of EC types batteries:

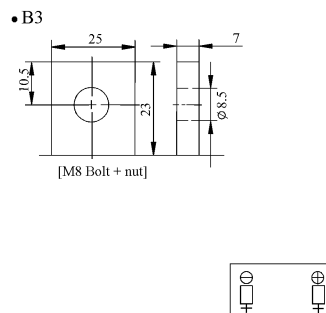
- measuring instruments,
- mobile and portable light sources,
- wheelchairs,
- solar powered systems,
- motor scooters, mowing machines, toys, robots, etc...



● Dimensions



● Terminal type & position



| | | | | |
|------------------|-----------------|-------------------|---------------|----------------|
| Mark | Type | Date of issue | Change number | Date of change |
| EUROPOWER | EC 80-12 | 20.05.2003 | 0 | - |