

TAGS HF 108

The Datalogic Automation family of RFID tags with their unique design and manufacturing technology provides outstanding Auto ID solutions for demanding industrial environments. These durable passive HF read/write tags require no batteries and can offer up to 2 KBytes of user-accessible memory. Tag size and shape are studied to suit several industrial application needs.

In standard temperature applications, a durable ABS plastic encapsulation protects tags from harsh environments. PCB models can be embedded directly into the finished goods for product tracking beyond the factory. HF 108 series of tags represent an excellent choice for electronic industry applications, automated control lines of conveyor systems and manufacturing applications where auto-identification of reusable totes, cassettes, or other product carriers is essential to achieving realtime process information flow for just-in-time manufacturing.



IDENTIFICATION

HIGHLIGHTS

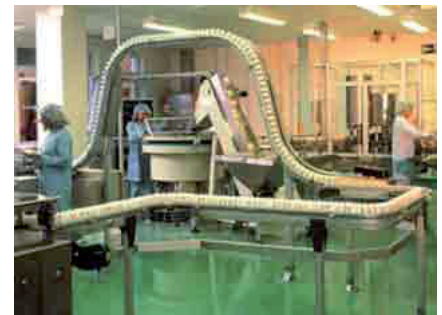
- Very small tags with high memory
- Passive
- Perfect solution for tracking small items
- Worldwide RFID HF Standard ISO15693, ISO14443A

APPLICATIONS

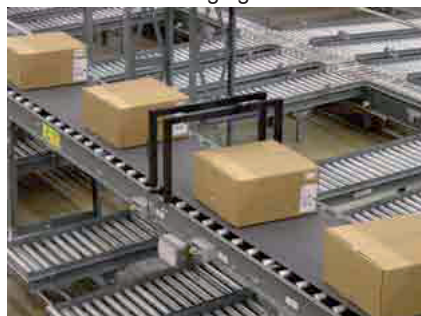
Electronic industry



Pharmaceutical



Packaging



HF TAGS CHARACTERISTICS

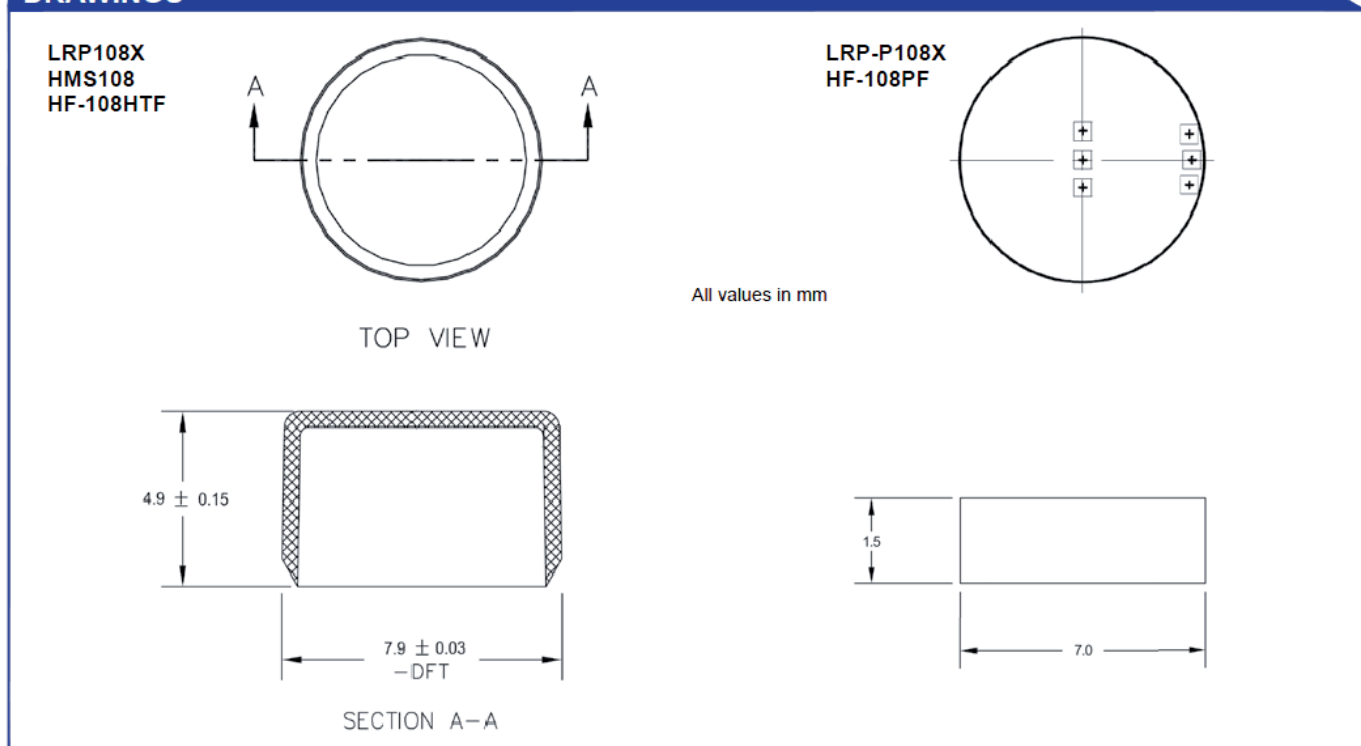
ICs	NXP ICODE SLI ¹		NXP Mifare ²	Infineon ¹		FUJITSU ¹	
	LRP-P108S	LRP108S	HMS108	LRP-P108I	LRP108I	HF-108PF	HF-108HTF
Operating frequency	13.56 MHz						
Memory size and type	112 Bytes - EEPROM		736 Bytes - EEPROM	1 Kbyte - EEPROM		2 Kbyte - FRAM	
Data retention	10 years						
Write endurance	100 000 cycles					10 billions cycles	
RF Data Transfer Rate	26 Kbit/s		106 Kbit/s	26 Kbit/s			
Storage Temperature	-55° C to 130° C	-55° C to 60° C	-55° C to +60° C	-40° C to 125° C	-40° C to +60° C	-40° C to +85° C	-40° C to +60° C
Operating temperature	-25° C to +85° C	-25° C to +60° C	-25° C to +60° C	-25° C to +70° C	-25° C to +60° C	-20° C to +85° C	-20° C to +60° C
Degree of protection	Not rated	IP68 ³	IP68 ³	Not rated	IP68 ³	Not rated	IP68 ³
Material	PCB	Plastic ABS	Plastic ABS	PCB	Plastic ABS	PCB	PPS resin
Weight	0.07 g	0.32 g	0.32 g	0.07 g	0.32 g	0.07 g	0.32 g
Mechanical dimensions	Ø 7mm x 1.5mm	Ø 8mm x 5mm	Ø 8mm x 5mm	Ø 7mm x 1.5mm	Ø 8mm x 5mm	Ø 7mm x 1.5mm	Ø 8mm x 5mm

Note¹: Compliant with ISO 15693.

Note²: Compliant with ISO 14443A.

Note³: End user is responsible for application testing in their particular environment. IP rating refers only to dust and water intrusion.

DRAWINGS



MODEL	DESCRIPTION	ORDER N°
LRP-P108S	TAG HF ISO15693 112Byte PCB	970340007
LRP108S	TAG HF ISO15693 112Byte ABS	970338010
HMS108	TAG HF ISO14443A 736Byte ABS	970338002
LRP-P108I	TAG HF ISO15693 1KByte PCB	970340006
LRP108I	TAG HF ISO15693 1KByte ABS	970338009
HF-108PF	TAG HF ISO15693 2KByte PCB	970340016
HF-108HTF	TAG HF HT ISO15693 2KByte PPS	970339012



Product and Company names and logos referenced may be either trademarks or registered trademarks of their respective companies. The company endeavours to continuously improve and renew its products; for this reason the technical data and contents of this catalogue may undergo variations without prior notice. For correct installation and use, the company can guarantee only the data indicated in the instruction manual supplied with the products.