

SG-PSB AND SG-PSM SERIES

The new **SG-PSB** and **SG-PSM** series are studied to improve the previous series SG-PS and to be used with all SG2, SG4, SG BODY BIG, SG BODY REFLECTOR and SG BODY COMPACT safety light curtains for finger, hand and body protection and access control.

Two complete new series are now available :

- **SG-PSB** version represents the natural replacement of SG-PS. SG – PSB is a protective aluminium profile mounted on a steel base made by two plates. Five different models with heights from 600mm to 1900mm are available.
- **SG-PSM** version is completely new and integrates into SG-PSB single mirrors for typical body or access perimeter protection. Four different models for 2, 3, 4 beams body protection 500, 800, 900 and 1200 mm controlled height whose mirrors are positioned according to EN-999 standard.

SG-PSB and **SG-PSM** series drastically reduce the overall plant costs thanks to their extremely installation easiness.

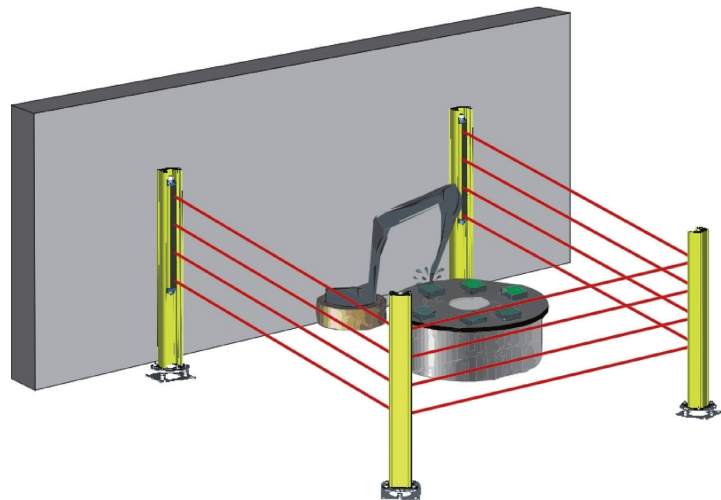


HIGHLIGHTS

- Safety light curtains protection against shocks and collisions
- Available for all SE, SG2, SG4-B, SG BODY and SG BODY REFLECTOR series
- Models for barriers and with integrated deviating single mirrors
- Suitable for mounting stand-alone full-length mirrors inside
- Single base with 2 disks for flatness regulation and angular adjustment
- Upper plate's grooves positioned at most common angles (30, 45, 60, 90 degrees)
- Spherical level ball
- Additional accessory kit of squared plate together with 3 load springs
- Double rear groove for mounting additional external muting sensor

TYPICAL APPLICATIONS

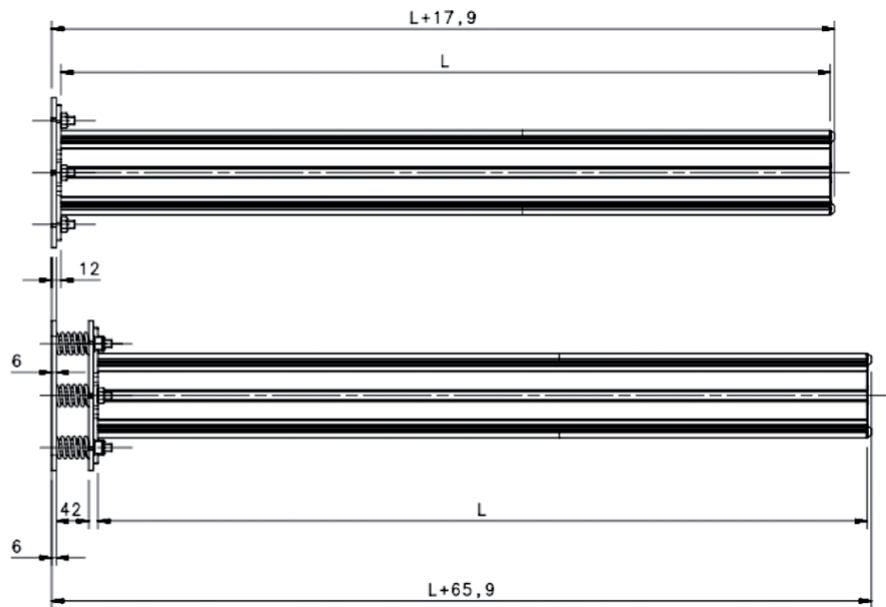
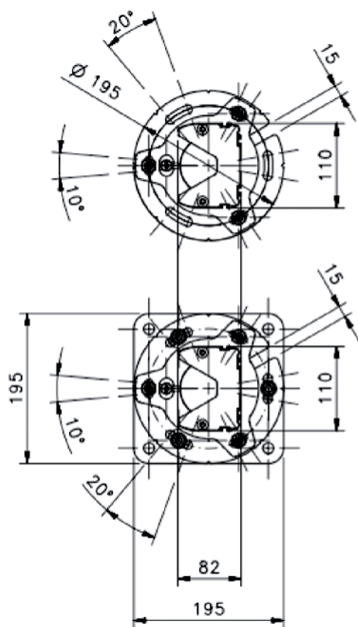
The combination of multiple light beam safety devices or safety light curtains with deflector mirrors is the right solution for perimeter protection. The adjustment of the deflector mirrors mounted in sturdy columns is thereby very straightforward. Here the unhindered access for loading as well as for changing tools and programs is a further advantage over mechanical fencing. The result is an increase in productivity.



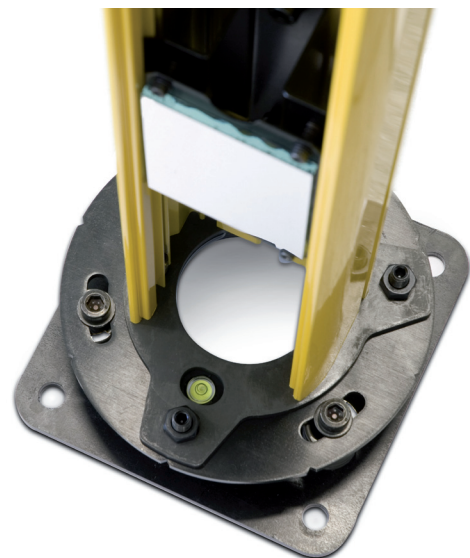
TECHNICAL SPECIFICATIONS

| SPECIAL FEATURES | SG-PSB | SP-PSM | SG-P |
|---|--------|--------|------|
| Easy installation, quick vertical and axial alignment in just a few steps | . | . | |
| Easy height adjustment of the installed devices | . | | |
| Individual mirrors can be exchanged and separately aligned | | . | |
| Mirror distance according to EN 999 standard | | . | |
| Additional upper plate with grooves positioned at most common angles | . | . | |
| Flatness regulation through 3 grains and spheric level ball | . | . | |
| Automatic resetting after mechanical impacts with special spring elements | | | . |

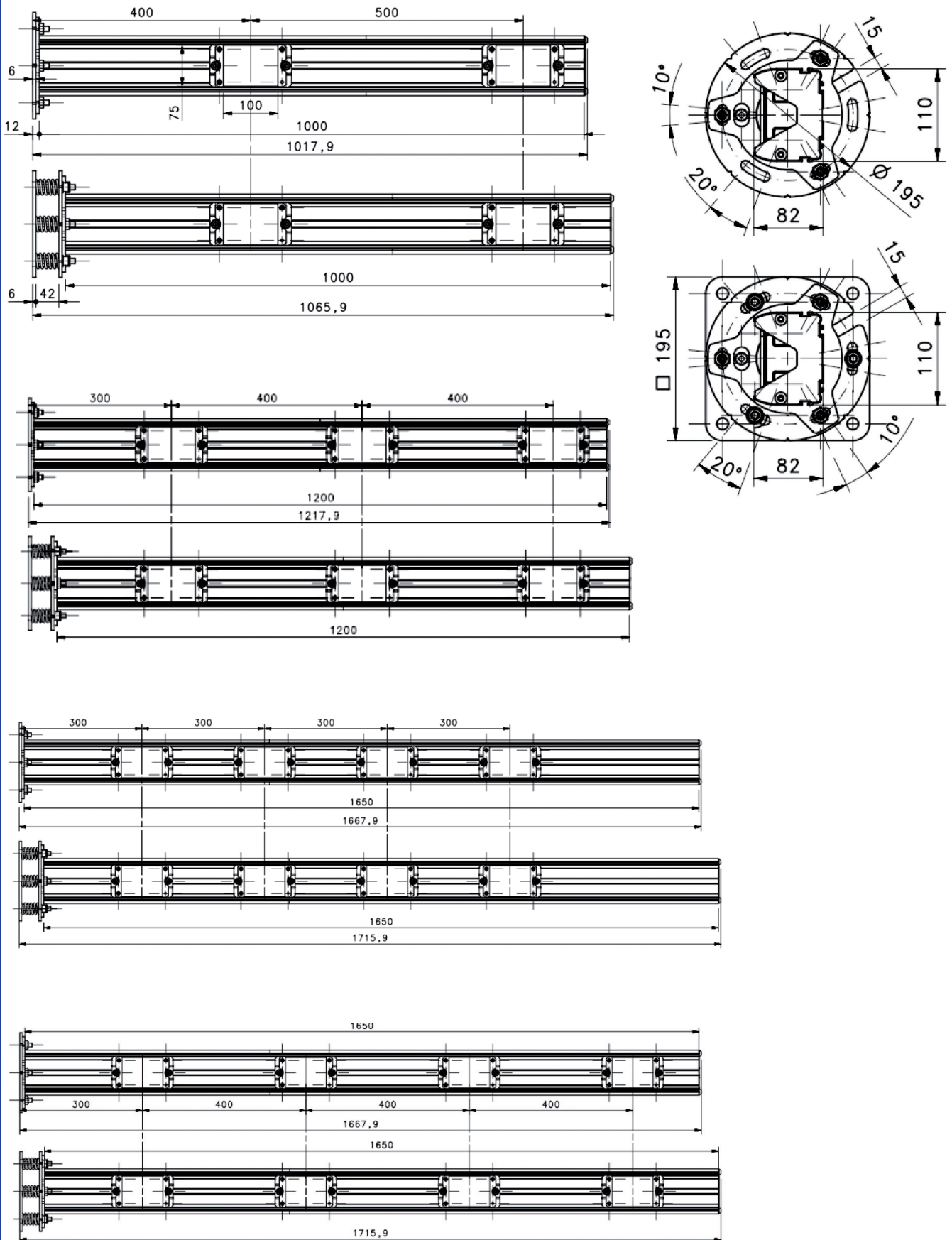
SG-PSB DIMENSIONS



| VERSION | L (mm) |
|-------------|--------|
| SG-PSB 600 | 600 |
| SG-PSB 1000 | 1000 |
| SG-PSB 1200 | 1200 |
| SG-PSB 1650 | 1650 |
| SG-PSB 1900 | 1900 |



SG-PSM DIMENSIONS



SG-PSM AND SAFETY LIGHT CURTAIN CORRESPONDENCE

The following table lists safety light curtain models that can be combined with the SG-PSM corresponding ones for typical perimeter protection applications.

| SG-PSM | CORRESPONDING CURTAIN | CONTROLLED HEIGHT |
|---------------|-----------------------|-------------------|
| SG-PSM-2-500 | SE2-P2-050##### | 500 mm |
| | SE4-P2-050##### | 500 mm |
| | SE4-Q2-050##### | 500 mm |
| | SG2-S2-050##### | 500 mm |
| | SG4-S2-050##### | 500 mm |
| | SG2-B2-050##### | 500 mm |
| | SG4-B2-050##### | 500 mm |
| | SG4-BLR2-050##### | 500 mm |
| | SG4-BSR2-050##### | 500 mm |
| SG-PSM-3-800 | SE2-P3-080##### | 800 mm |
| | SE4-P3-080##### | 800 mm |
| | SE4-Q3-080##### | 800 mm |
| | SG2-S3-080##### | 800 mm |
| | SG4-S3-080##### | 800 mm |
| | SG2-B3-080##### | 800 mm |
| | SG4-B3-080##### | 800 mm |
| | SG4-BLR3-080##### | 800 mm |
| | SG4-BSR3-080##### | 800 mm |
| SG-PSM-4-900 | SE2-P4-090##### | 900 mm |
| | SE4-P4-090##### | 900 mm |
| | SE4-Q4-090##### | 900 mm |
| | SG2-S4-090##### | 900 mm |
| | SG4-S4-090##### | 900 mm |
| | SG2-B4-090##### | 900 mm |
| | SG4-B4-090##### | 900 mm |
| | SG4-BLR4-090##### | 900 mm |
| | SG4-BSR4-090##### | 900 mm |
| SG-PSM-4-1200 | SE2-P4-120##### | 1200 mm |
| | SE4-P4-120##### | 1200 mm |
| | SE4-Q4-120##### | 1200 mm |
| | SG2-S4-120##### | 1200 mm |
| | SG4-S4-120##### | 1200 mm |
| | SG2-B4-120##### | 1200 mm |
| | SG4-B4-120##### | 1200 mm |
| | SG4-BLR4-120##### | 1200 mm |
| | SG4-BSR4-120##### | 1200 mm |

SG-PSB AND SAFETY LIGHT CURTAIN CORRESPONDENCE

The following table lists safety light curtain models that can be mounted inside the SG-PSB corresponding ones for typical perimeter protection applications. Fixing brackets column specifies the bracket accessory kit required to install TX or RX unit inside the protective stand.

| SG-PSB | CURTAIN | CONTROLLED HEIGHT | FIXING BRACKETS |
|-------------------|-------------------|-------------------|-----------------|
| SG-PSB 600 | SE2-35 | 150÷450 mm | ST-PS4-SG-SE |
| | SE4-14/20/30/35 | 150÷450 mm | ST-PS4-SG-SE |
| | SG2-30/50/90 | 150÷450 mm | ST-PS4-SG-SE |
| | SG4-14/30 | 150÷450 mm | ST-PS4-SG-SE |
| SG-PSB 1000 | SE2-35 | 600÷750 mm | ST-PS4-SG-SE |
| | SE4-14/20/30/35 | 600÷750 mm | ST-PS4-SG-SE |
| | SE2-P2-050##### | 500 mm | ST-PS4-SG-SE |
| | SE4-P2-050##### | 500 mm | ST-PS4-SG-SE |
| | SE4-Q2-050##### | 500 mm | ST-PS4-SG-SE |
| | SG2-30/50/90 | 600÷750 mm | ST-PS4-SG-SE |
| | SG4-14/30 | 600÷750 mm | ST-PS4-SG-SE |
| | SG2-S2-050##### | 500 mm | ST-PS4-SG-SE |
| | SG4-S2-050##### | 500 mm | ST-PS4-SG-SE |
| | SG2-B2-050##### | 500 mm | ST-PS4-SG BODY |
| | SG4-B2-050##### | 500 mm | ST-PS4-SG BODY |
| | SG4-BLR2-050##### | 500 mm | ST-PS4-SG BODY |
| SG4-BSR2-050##### | 500 mm | ST-PS4-SG BODY | |
| SG-PSB 1200 | SE2-35 | 900÷1050 mm | ST-PS4-SG-SE |
| | SE4-14/20/30/35 | 900÷1050 mm | ST-PS4-SG-SE |
| | SE2-P3-080##### | 800 mm | ST-PS4-SG-SE |
| | SE4-P3-080##### | 800 mm | ST-PS4-SG-SE |
| | SE4-Q3-080##### | 800 mm | ST-PS4-SG-SE |
| | SG2-30/50/90 | 900÷1050 mm | ST-PS4-SG-SE |
| | SG4-14/30 | 900÷1050 mm | ST-PS4-SG-SE |
| | SG2-S3-080##### | 800 mm | ST-PS4-SG-SE |
| | SG4-S3-080##### | 800 mm | ST-PS4-SG-SE |
| | SG2-B3-080##### | 800 mm | ST-PS4-SG BODY |
| | SG4-B3-080##### | 800 mm | ST-PS4-SG BODY |
| | SG4-BLR3-080##### | 800 mm | ST-PS4-SG BODY |
| SG4-BSR3-080##### | 800 mm | ST-PS4-SG BODY | |

| SG-PSB | CURTAIN | CONTROLLED HEIGHT | FIXING BRACKETS |
|-------------------|-------------------|--------------------------|------------------------|
| SG-PSB 1650 | SE2-35 | 1200÷1500 mm | ST-PS6-SG-SE |
| | SE4-14/20/30/35 | 1200÷1500 mm | ST-PS6-SG-SE |
| | SE2-P4-090##### | 900 mm | ST-PS4-SG-SE |
| | SE4-P4-090##### | 900 mm | ST-PS4-SG-SE |
| | SE4-Q4-090##### | 900 mm | ST-PS4-SG-SE |
| | SE2-P4-120##### | 1200 mm | ST-PS6-SG-SE |
| | SE4-P4-120##### | 1200 mm | ST-PS6-SG-SE |
| | SE4-Q4-120##### | 1200 mm | ST-PS6-SG-SE |
| | SG2-30/50/90 | 1200÷1500 mm | ST-PS6-SG-SE |
| | SG4-14/30 | 1200÷1500 mm | ST-PS6-SG-SE |
| | SG2-S4-090##### | 900 mm | ST-PS4-SG-SE |
| | SG4-S4-090##### | 900 mm | ST-PS4-SG-SE |
| | SG2-B4-090##### | 900 mm | ST-PS4-SG BODY |
| | SG4-B4-090##### | 900 mm | ST-PS4-SG BODY |
| | SG4-BLR4-090##### | 900 mm | ST-PS4-SG BODY |
| | SG4-BSR4-090##### | 900 mm | ST-PS4-SG BODY |
| | SG2-S4-120##### | 1200 mm | ST-PS6-SG-SE |
| | SG4-S4-120##### | 1200 mm | ST-PS6-SG-SE |
| | SG2-B4-120##### | 1200 mm | ST-PS6-SG BODY |
| | SG4-B4-120##### | 1200 mm | ST-PS6-SG BODY |
| SG4-BLR4-120##### | 1200 mm | ST-PS6-SG BODY | |
| SG4-BSR4-120##### | 1200 mm | ST-PS6-SG BODY | |
| SG-PSB 1900 | SE2-35 | 1650 mm | ST-PS6-SG-SE |
| | SE4-20/30/35 | 1650 mm | ST-PS6-SG-SE |
| | SG2-30/50/90 | 1650÷1800 mm | ST-PS6-SG-SE |
| | SG4-14/30 | 1650÷1800 mm | ST-PS6-SG-SE |

MODEL SELECTION AND ORDER INFORMATION

| MODEL | DESCRIPTION | ORDER N° |
|---------------|---|-----------|
| SG-PSB 600 | SG-PSB 600 PROTECTIVE STAND H=600mm | 95ASE2240 |
| SG-PSB 1000 | SG-PSB 1000 PROTECTIVE STAND H=1000mm | 95ASE2250 |
| SG-PSB 1200 | SG-PSB 1200 PROTECTIVE STAND H=1200mm | 95ASE2260 |
| SG-PSB 1650 | SG-PSB 1650 PROTECTIVE STAND H=1650mm | 95ASE2270 |
| SG-PSB 1900 | SG-PSB 1900 PROTECTIVE STAND H=1900mm | 95ASE2280 |
| SG-PSM-2-500 | SG-PSM-2-500 PROT STANDS 2 MIRRORS H500 | 95ASE2300 |
| SG-PSM-3-800 | SG-PSM-3-800 PROT STANDS 3 MIRRORS H800 | 95ASE2310 |
| SG-PSM-4-900 | SG-PSM-4-900 PROT STANDS 4 MIRRORS H900 | 95ASE2320 |
| SG-PSM-4-1200 | SG-PSM-4-1200 PROT STANDS 4 MIRRORS H1200 | 95ASE2330 |

NOTE: Each SG-PSB model contains what is necessary to protect a single unit (TX or RX). To protect both TX and RX, two pieces of the same part number are needed.

ACCESSORY SELECTION AND ORDER INFORMATION

| MODEL | DESCRIPTION | ORDER N° |
|----------------|--|-----------|
| SG-P | SG-P PLATE KIT FOR PROTECTIVE STANDS | 95ASE2290 |
| ST-PS4-SG BODY | ST-PS4-SG BODY 4PCS PROTECTIVE STANDS MOUNTING KIT SG BODY BIG | 95ASE1730 |
| ST-PS6-SG BODY | ST-PS6-SG BODY 6PCS PROTECTIVE STANDS MOUNTING KIT SG BODY BIG | 95ASE1740 |
| ST-PS4-SG-SE | ST-PS4-SG-SE 4PCS PROTECTIVE STANDS MOUNTING KIT SG2/SG4/SE2/SE4 | 95ASE1750 |
| ST-PS6-SG-SE | ST-PS6-SG-SE 6PCS PROTECTIVE STANDS MOUNTING KIT SG2/SG4/SE2/SE4 | 95ASE1760 |
| ST-PS-DM | ST-PS-DM 4PCS PROTECTIVE STANDS MOUNTING KIT DEVIATING MIRRORS | 95ASE1770 |

NOTE: Inside the SG-PSB profile many different safety light curtain models can be mounted; for that reason 5 different accessory fixing bracket kits are available. According to the barrier supposed to be installed into the SG-PSB customer has to order the corresponding kit.



The company endeavours to continuously improve and renew its products; for this reason the technical data and contents of this catalogue may undergo variations without prior notice. For correct installation and use, the company can guarantee only the data indicated in the instruction manual supplied with the products.

Rev. 00, 09/2011