

BP 7-12

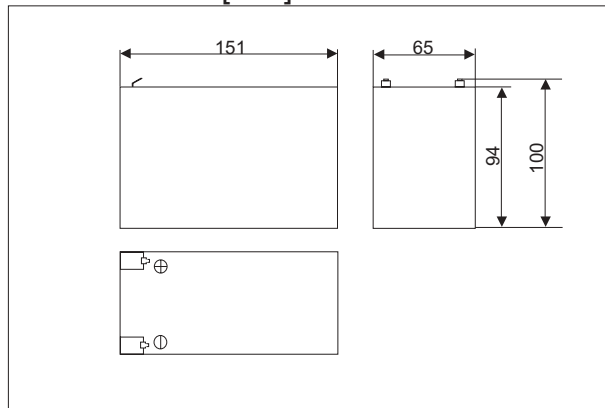
◆ Physical Specification

● Nominal Voltage	: 12 [V]
● Nominal Capacity (20 h)	: 7.0 [Ah]
● Dimensions	
Total Height	: 100 [mm]
Container Height	: 94 [mm]
Length	: 151 [mm]
Width	: 65 [mm]
● Weight	: ~2.50 [kg]
● Container Material	: UL94HB ABS : UL94V-0 ABS
● Internal Resistance (25 [°C])	: ~22 [mΩ]
● Discharge Capacity under different Temperatures	
40 °C	: ~102%
25 °C	: ~100%
0 °C	: ~85%

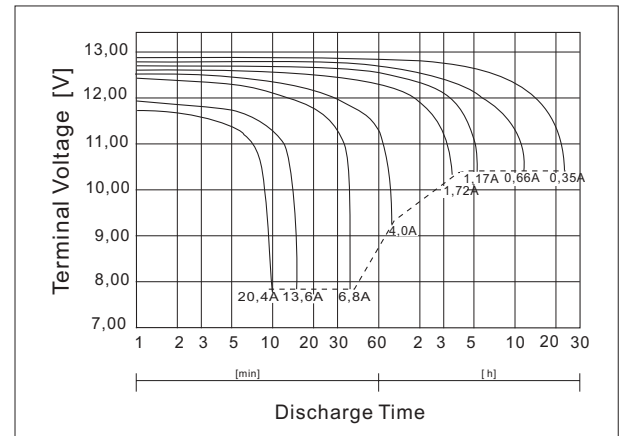
◆ Electrical Specification

● Capacity 25 [°C]	
20 [h] @ 0.35 [A]	: 7.0 [Ah]
5 [h] @ 1.17 [A]	: 5.85 [Ah]
1 [h] @ 4.35 [A]	: 4.35 [Ah]
1 [C] @ 7.0 [A]	: 4.1 [Ah]
● Charging Voltage 25 [°C]	
Standby Use	: 13.65 [V] ± 0.15 [V]
Cycle Use	: 14.7 [V] ± 0.3 [V]
● Max Discharge Current	: 90 [A] (5 s.)
● Max Charging Current	: 2.16 [A]
● Self-Discharge Residual Capacity	
After 3 Months	: ~90%
After 6 Months	: ~82%
After 12 Months	: ~70%

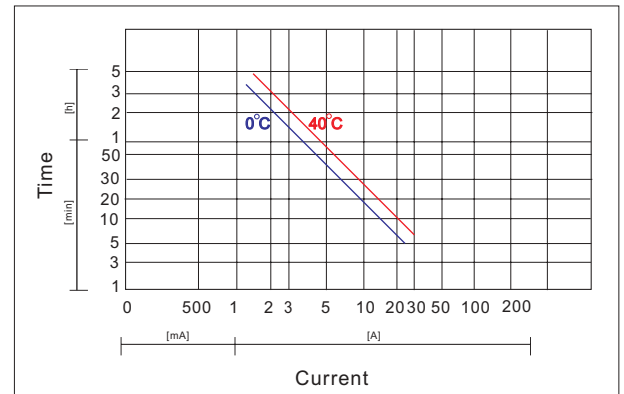
◆ Dimensions [mm]



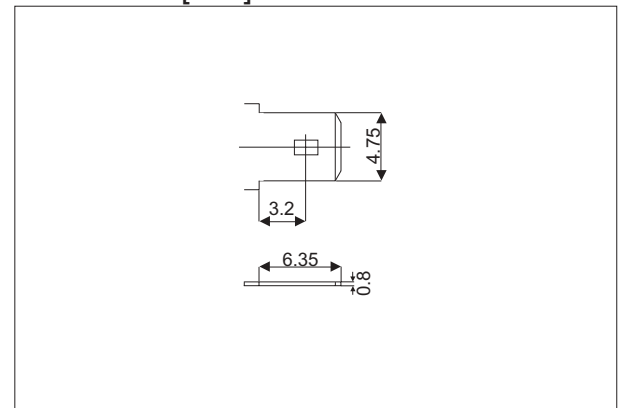
◆ Discharge Characteristics (25 [°C])



◆ Discharge Current & Discharge Duration Time



◆ Terminal [mm]



Mark	Type	Date of issue	Change number	Date of change
ALARMTEC	BP 7-12	25.05.2004	0	-