

# ACUMAX® sealed maintenance-free lead-acid battery AML series



## AML 120-12

Sealed, maintenance free, lead-acid **ACUMAX®** batteries with a **10 - 12** years designed lifetime are made in **AGM** technology - electrolyte is absorbed in highly porous fiber glass separators placed between the plates. They use a gas recombination cycle which prevents electrolyte loss and allows the batteries to be used in rooms without forced ventilation, that are occupied by people. One-way, self-regulating pressure relief valves prevent the case from blowing up, by preventing excessive buildup of pressure in the cells.

- uninterruptible power supplies
- telecom power supply systems
- telecommunication PABX
- power station
- fire and security systems
- solar powered systems
- emergency lighting systems
- cable TV

### Main applications

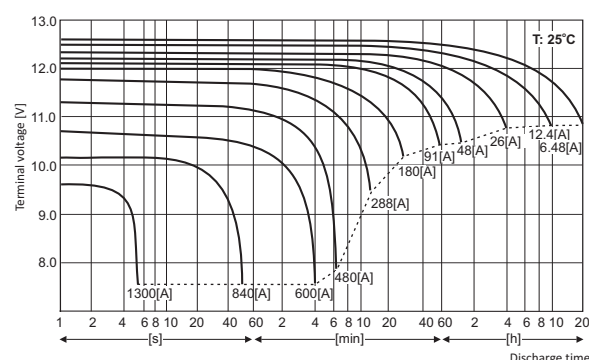
- marine
- golf-carts, wheelchairs
- mobile and portable equipment
- medical equipment

### Technical data

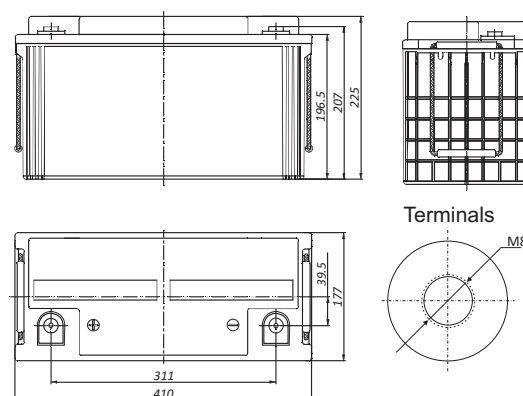
Nominal voltage	12 V
Nominal capacity	120 Ah/ C <sub>20</sub>
Design life	8 years @ 25°C 10-12 years @ 20°C according to Eurobat, Long Life group
Weight	~ 37.6 kg
Dimensions	
Height	225 mm
Length	410 mm
Width	177 mm
Internal resistance	≤ 4.0 mΩ
Charging voltage @ 25°C	
Standby use	13,65 V ± 0,15 V
Cykle use	14,70 V ± 0,30 V
Charging current	
Recommended	12 A
Maximum	36 A
Max. discharge current (5s)	1300 A
Container material	
Standard	ABS UL 94-HB
Optional (Flame-retardant)	ABS UL 94-V0

Akumulator dopuszczony do transportu drogą lotniczą, morską lub lądową. Sklasyfikowany jako materiał nie niebezpieczny na podstawie: *IATA/ICAO Special Provision A67, DOT-CFR Title 49 parts 171-189, IMDG amendment 27.*

### Discharge characteristics



### Dimensions



Tolerance: +/- 2mm;

### Constant current discharge (Current [A], 25 [°C] / 77 [°F])

U <sub>f</sub> [V/cell]	Discharge time													
	5 min	10 min	15 min	20min	30 min	45 min	1h	2h	3h	4h	6h	8h	10h	20h
<b>1,80</b>	315,4	242,6	207,8	175,3	129,6	94,4	74,4	42,0	30,5	24,4	17,8	15,0	12,4	6,47
<b>1,75</b>	361,4	271,4	229,9	189,4	136,1	97,6	77,4	43,4	31,3	24,9	18,3	15,2	12,5	6,53
<b>1,70</b>	393,1	295,9	244,8	199,4	142,6	101,6	80,3	44,8	32,2	25,5	18,7	15,4	12,6	6,60

### Constant power discharge (Power [W/cell], 25 [°C] / 77 [°F])

U <sub>f</sub> [V/cell]	Discharge time													
	5 min	10 min	15 min	20min	30 min	45 min	1h	2h	3h	4h	6h	8h	10h	20h
<b>1,75</b>	665,7	506,8	434,3	361,3	261,8	189,1	150,9	84,9	61,4	49,0	36,3	30,1	24,8	13,0
<b>1,70</b>	713,7	545,2	457,0	376,5	271,7	195,2	155,2	86,9	62,7	49,9	36,8	30,3	25,0	13,1
<b>1,67</b>	763,7	572,1	483,8	389,9	279,1	200,3	159,5	88,9	64,0	51,0	37,3	30,4	25,0	13,1

U<sub>f</sub> - Final voltage

