

# ACUMAX® sealed maintenance-free lead-acid battery AM series



## AM 3.4-6

Sealed, maintenance free, lead-acid **ACUMAX®** batteries with a **6-9** years designed lifetime are made in **AGM** technology - electrolyte is absorbed in highly porous fiber glass separators placed between the plates. They use a gas recombination cycle which prevents electrolyte loss and allows the batteries to be used in rooms without forced ventilation, that are occupied by people. One-way, self-regulating pressure relief valves prevent the case from blowing up, by preventing excessive buildup of pressure in the cells.

- uninterruptible power supplies
- telecommunication PABX
- cash registers and fiscal printers
- emergency lighting systems
- fire and security systems
- solar powered systems
- mobile and portable equipment
- lawn mowers, electrical bicycle

### Main applications

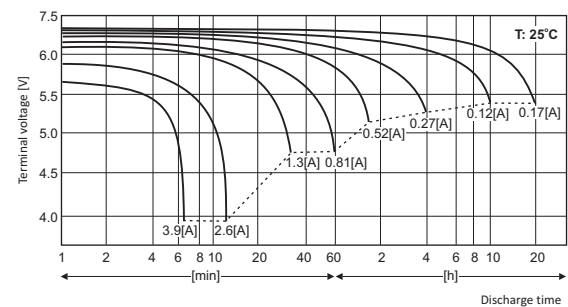
- medical equipment
- fishing lights
- parking meters
- toys

### Technical data

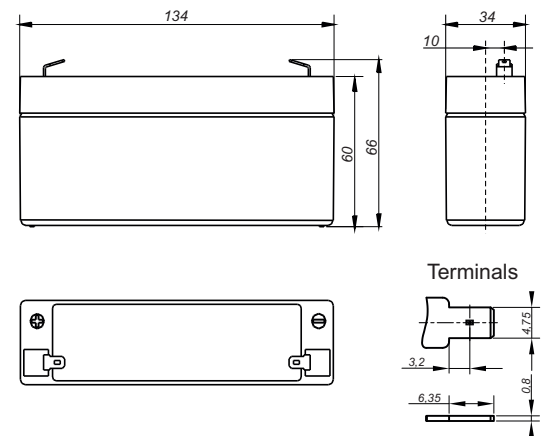
Nominal voltage	6 V
Nominal capacity	3.4 Ah/ C <sub>20</sub>
Design life	5 years @ 25°C 6-9 years @ 20°C according to Eurobat , General Purpose group
Weight	~ 0.67 kg
Dimensions	
Height	66 mm
Length	134 mm
Width	34 mm
Internal resistance	≤ 28 mΩ
Charging voltage @ 25°C	
Standby use	6.825 V ± 0.10 V
Cycle use	7.350 V ± 0.15 V
Charging current	
Recommended	0.34 A
Maximum	0.96 A
Max. discharge current (5s)	48 A
Container material	
Standard	ABS UL 94-HB
Optional (Flame-retardant)	ABS UL 94-V0

Battery approved for transportation by air, sea or land. Classified as non-hazardous material: *IATA/ICAO Special Provision A67, DOT-CFR Title 49 parts 171-189, IMDG amendment 27.*

### Discharge characteristics



### Dimensions



Tolerance: +/- 1mm; +/- 2mm for height dimensions

### Constant current discharge (Current [A], 25 [°C] / 77 [°F])

U <sub>f</sub> [V/cell]	Discharge time													
	5 min	10 min	15 min	20min	30 min	45 min	1h	2h	3h	4h	6h	8h	10h	20h
<b>1,80</b>	8,18	5,98	4,68	3,96	3,06	2,22	1,80	1,04	0,80	0,65	0,460	0,366	0,298	0,160
<b>1,75</b>	9,22	6,57	5,12	4,26	3,17	2,30	1,89	1,08	0,82	0,66	0,472	0,373	0,306	0,162
<b>1,70</b>	10,2	7,16	5,46	4,48	3,30	2,40	1,95	1,10	0,84	0,68	0,482	0,378	0,312	0,164

### Constant power discharge (Power [W/cell], 25 [°C] / 77 [°F])

U <sub>f</sub> [V/cell]	Discharge time													
	5 min	10 min	15 min	20min	30 min	45 min	1h	2h	3h	4h	6h	8h	10h	20h
<b>1,75</b>	16,33	11,80	9,30	7,84	5,91	4,35	3,60	2,07	1,58	1,28	0,921	0,732	0,603	0,319
<b>1,70</b>	17,48	12,57	9,79	8,18	6,12	4,51	3,70	2,12	1,62	1,31	0,939	0,742	0,615	0,325
<b>1,65</b>	19,00	13,44	10,3	8,62	6,40	4,58	3,76	2,14	1,68	1,35	0,957	0,751	0,626	0,329

U<sub>f</sub> - Final voltage

