



CK30 Handheld Computer

Intermec
Worldwide Headquarters
 6001 36th Avenue West
 Everett, Washington 98203
 U.S.A.
 tel 425.348.2600
 fax 425.355.9551
 www.intermec.com
 © 2006 Intermec Technologies Corporation. All rights reserved.



P/N 073389-004



See Compliance Insert for use restrictions associated with this product.

Go to the Intermec web site at www.intermec.com to find the manuals in PDF format. If you have any problems, please visit our product support web site at intermec.custhelp.com. To order accessories and printed documentation, contact your local Intermec sales representative.

Document	Available on Web	In Print
CK30 Handheld Computer User's Manual (P/N 073528)	✓	✓
TE 2000 Terminal Emulation Programmer's Guide (P/N 977-055-008)	✓	✓
Intermec Developer Library	✓	

Now that the CK30 is working in your network, you may need additional information to use the computer in your data collection system.

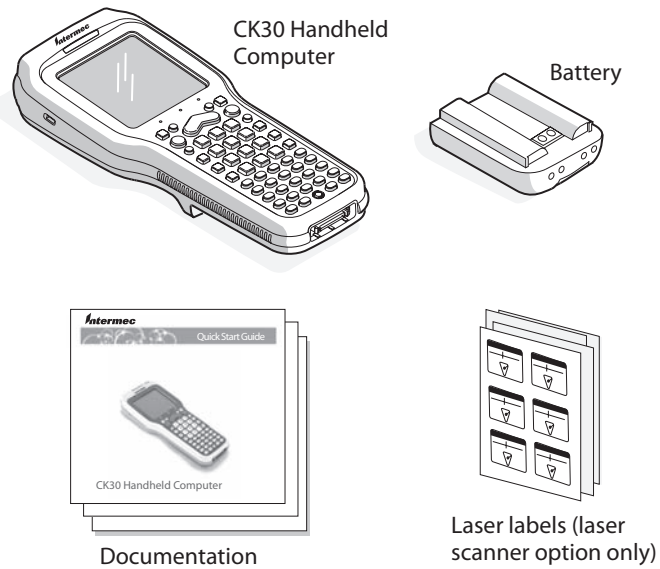
Where to Find More Information



Quick Start Guide

Out of the Box

After you remove the CK30 from its shipping box, save the box and packing material in case you need to ship or store the computer. The CK30 shipping box should contain these items:



You should read this quick start guide if you are a system administrator or person installing the CK30 in a network. If you want basic information such as adjusting the contrast and changing the beeper volume, see the *CK30 Handheld Computer Operator's Guide* (P/N 073407).

What Is the CK30?

The Intermec CK30 Handheld Computer is an ergonomically designed handheld computer built on the Microsoft® Windows® CE.NET operating system. It is a lightweight, easy-to-use, reliable computer that runs client/server applications, TE 2000™ terminal emulation applications, and web-based applications.

The CK30 makes data collection easy and may include these features:

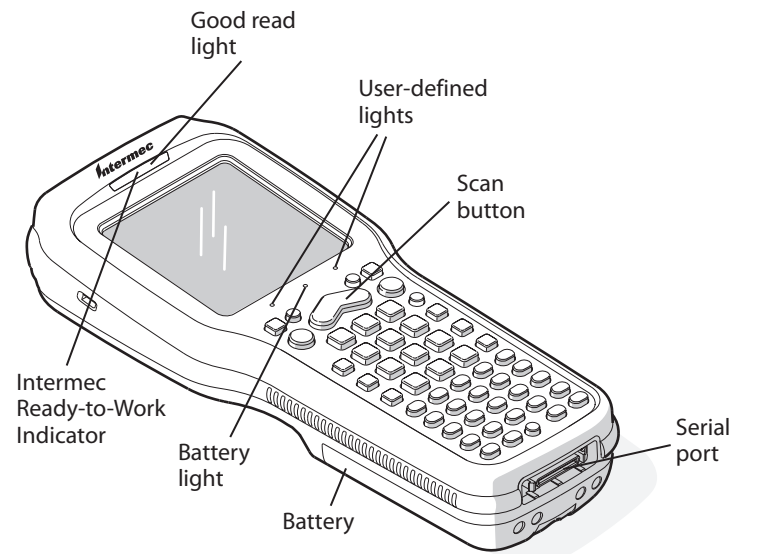
Features	Model A	Model B	Model C
802.11b/g radio (optional)		✓	✓
*Bluetooth™ radio (optional)	✓	✓	✓
.NET Compact Framework			✓
Monochrome display	✓	✓	
Color display			✓
32MB flash/32MB RAM memory	✓	✓	
64MB flash/64MB RAM memory			✓
200 MHz processor	✓	✓	
400 MHz processor			✓

*Bluetooth is a trademark owned by Bluetooth SIG, Inc., USA.

Specifications

Physical Dimensions	
Length:	20.8 cm (8.2 in)
Width:	8.9 cm (3.5 in)
Depth:	5.5 cm (2.15 in); 6.2 cm (2.45 in) with a wide case
Weight:	476 g (16.8 oz)
Power Specifications	
Operating:	Rechargeable 2400 mAh lithium-ion battery
Backup:	Super Cap supplies 10 minutes bridge time while replacing the main battery
Electrical Specifications	
Models:	CK30A, CK30B, CK30C
Electrical rating:	--- 7.4 to 12V, 500 mA peak
Temperature and Humidity Specifications	
Operating temperature:	0°C to 50°C (32°F to 122°F)
Operating humidity:	10 to 90% non-condensing
Storage temperature:	-20°C to 60°C (-4°F to 140°F)
Storage humidity:	0 to 95% relative humidity, non-condensing

CK30 Features

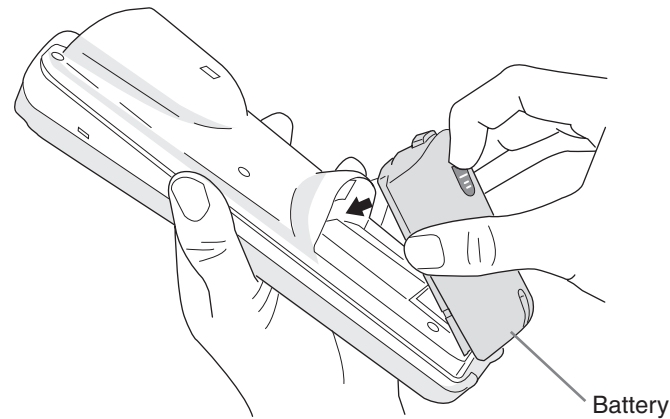


CK30 computers with an IEEE 802.11b/g radio installed are Wi-Fi® certified for interoperability with other 802.11b/g wireless LAN devices.

This product is protected by one or more patents. Refer to the *CK30 Handheld Computer User's Manual* for the list of patents.

1 Installing and Charging the Battery

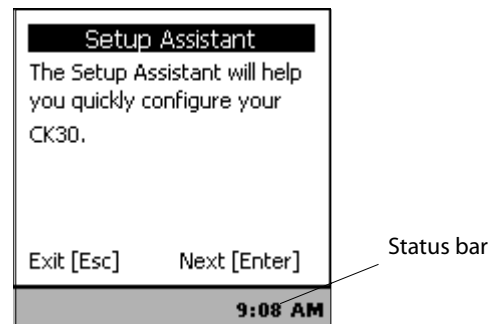
- Charge the CK30 battery in one of these two ways:
 - Remove the battery and place it in the AC1 4-Slot Battery Charger or AC3 8-Slot Battery Charger.
 - Place the CK30 (with battery installed) in the AD1 1-Bay Communications Dock, AD2 4-Bay Communications Dock, or AC2 4-Bay Charging Dock.



- Insert the tabs on the bottom of the charged battery into the CK30 and snap the battery into place. The battery light on the CK30 blinks three times and the CK30 turns on.

3 Configuring the CK30

After the CK30 finishes booting up for the first time, the Setup Assistant appears. Follow the directions on the Setup Assistant screens to quickly configure the time and date and the parameters necessary to connect the CK30 to your network.



Setup Assistant Start Screen

If you are using your CK30 in an EasyADC system, choose to enable EasyADC. When you enable EasyADC, your CK30 configures the EasyADC system security parameters and reboots. After the reboot, the access point sends the EasyADC configuration down to the CK30 and the CK30 launches TE 2000. When TE 2000 connects to its host, the Intermec Ready-to-Work™ indicator turns on solid blue.

If you exit the Setup Assistant before you are finished configuring your CK30, you can restart the Setup Assistant from the System Main Menu. If you need to set additional parameters not available from the Setup Assistant, you can use the Configuration Utility, which is also available from the System Main Menu.

To access the System Main Menu

- Press green and then press orange .

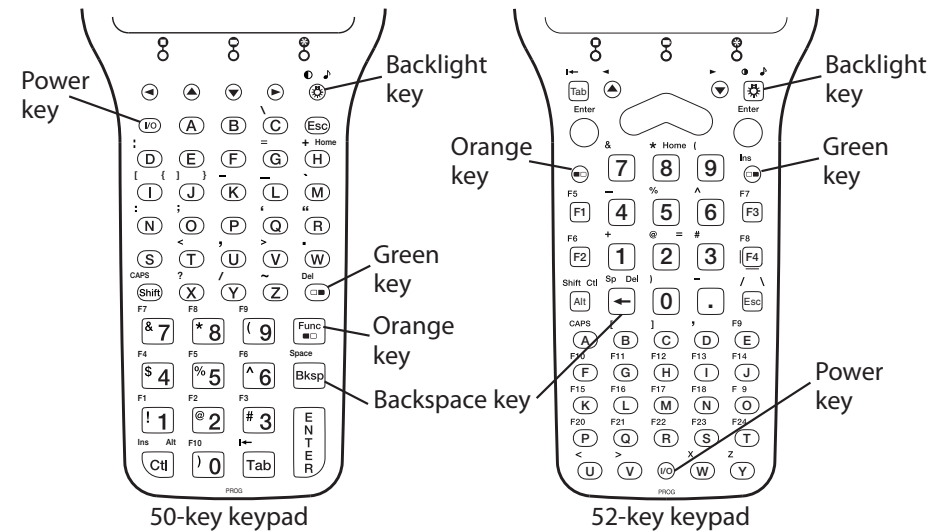
For help loading your application on the CK30, see the *CK30 Handheld Computer User's Manual* (P/N 073528).

2 Turning on the CK30 and Finding Keys

The **Power** (⏻) key may be located in one of two places on the keypad depending on your model of CK30: the upper left corner or the middle of the bottom row. The 42-key keypad is very similar to the 52-key keypad. Use the 52-key keypad below for reference if you have a 42-key keypad.

To turn on the CK30

- Press and release the key. The CK30 turns on.

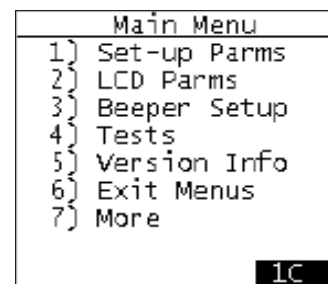


4 Using TE 2000 on Your CK30

If you have the terminal emulation (TE) 2000 application loaded on your CK30, it automatically launches after you exit the Setup Assistant. The default emulation for TE 2000 is VT340. Use this procedure to enter a server address and set the emulation type.

To enter a server address and set the emulation type

- To access the Main Menu:
 - On the 52-key keypad, press: **Alt, M.**
 - On the 42-key keypad, press: **Alt, , F3.**
 - On the 50-key keypad, press: , **Ctrl, M.**



- Press **1** and type `cr52401` at the **Enter Password** prompt.
- From the Set-up Parm's menu, go to **Communication > Direct > Host Setup > Host A.**
- Type the address of your host and then press **Enter** twice. You can enter up to 64 alphanumeric characters.
- From the Emulation menu, select the TE 2000 emulation mode you want to use.
- Press **Enter** until you return to the Main Menu and then select **Exit Menus.**
- Press **Y** and then type `cr52401` at the **Enter Password** prompt to exit the TE 2000 setup menu.

Using the Keypad

Each keypad available for the CK30 provides color-coded keys to let you access additional characters, symbols, and functions printed on the keypad overlay. Use this table to understand how to use the color-coded keys. Make sure you press and release the first key before you press the second key.

You Want To:	Press:
Use an orange character or function printed above a key	Orange key and then the key with the character or function printed above it
Use a green character or function printed above a key	Green key and then the key with the character or function printed above it
Use a blue character printed on a key	Shift key and then the key with the blue character printed on it
Lock a green, orange, Shift , Ctrl , or Alt key to stay on	, , Ctrl , Alt , or Shift key twice
Unlock a green, orange, Shift , Ctrl , or Alt key	, , Ctrl , Alt , or Shift key once

For example, to change the contrast:

- Press orange and then until you reach the desired level of contrast.

Troubleshooting

If you have a problem operating your CK30, use this table to find a possible solution.

Problem	Possible Solution
You press to turn on the CK30 and nothing happens.	<ul style="list-style-type: none"> The battery may be discharged. Replace the battery with a spare charged battery or charge the battery and try again. Make sure the contrast is not set all the way to the darkest or lightest setting. Press orange and then repeatedly until you reach the desired contrast level. If you have the CK30 with a color screen, make sure the backlight is turned on. Press .
You are using the 802.11b/g radio and the no connection to the network icon () appears on the status bar.	<ul style="list-style-type: none"> The CK30 may not be communicating with your access point. Make sure the network name on the CK30 is the same as the network name (SSID) of the access point you are trying to communicate with. Make sure the CK30 is within range of an access point. Make sure the CK30 has been configured correctly for your network. The radio parameters on the CK30 must match the values set for all access points in your network.
You see a battery critically low icon () on the status bar.	Replace the battery immediately with a fully charged battery or place the CK30, with the battery installed in a communications or charging dock.

See your *CK30 Handheld Computer User's Manual* for a complete list of other icons you may see on the status bar.