

MODEL SELECTION AND ORDER INFORMATION

S5

MODEL	DESCRIPTION	CODE
S5-5-G8-62-SG-ST2	S5-5-G8-62-SG-ST2 emitter, 10/30Vdc, Type 2	952051870
S5-5-F8-92-SG-ST2	S5-5-F8-92-SG-ST2 receiver, 10/30Vdc, Type 2	952051890
S5-5-G8-62-SG-ST4	S5-5-G8-62-SG-ST4 emitter, 10/30Vdc, Type 4	952051910
S5-5-F8-92-SG-ST4	S5-5-F8-92-SG-ST4 receiver, 10/30Vdc, Type 4	952051930

SL5

MODEL	DESCRIPTION	CODE
SL5-5-G-82-SG-ST4	SL5-5-G-82-SG-ST4 Laser emitter, 40m, M12, Type 4	952501160
SL5-5-F-92-SG-ST4	SL5-5-F-92-SG-ST4 receiver, 40m, PNP, Light, M12, Type 4	952501170

S300

MODEL	DESCRIPTION	CODE
S300-PR-5-G00-EX-SG-ST2	S300-PR-5-G00-EX-SG-ST2 emitter 10/30Vdc Type 2	951451320
S300-PR-5-G00-EX-M-SG-ST2	S300-PR-5-G00-EX-M-SG-ST2 emitter 10/30Vdc Type 2 defogging	951451330
S300-PR-5-F00-OC-SG-ST2	S300-PR-5-F00-OC-SG-ST2 receiver 10/30Vdc Type 2	951451340
S300-PR-5-F00-OC-M-SG-ST2	S300-PR-5-F00-OC-M-SG-ST2 receiver 10/30Vdc Type 2 defogging	951451350
S300-PR-5-G00-EX-SG-ST4	S300-PR-5-G00-EX-SG-ST4 emitter 10/30Vdc Type 4	951451360
S300-PR-5-G00-EX-M-SG-ST4	S300-PR-5-G00-EX-M-SG-ST4 emitter 10/30Vdc Type 4 defogging	951451370
S300-PR-5-F00-OC-SG-ST4	S300-PR-5-F00-OC-SG-ST4 receiver 10/30Vdc Type 4	951451380
S300-PR-5-F00-OC-M-SG-ST4	S300-PR-5-F00-OC-M-SG-ST4 receiver 10/30Vdc Type 4 defogging	951451390

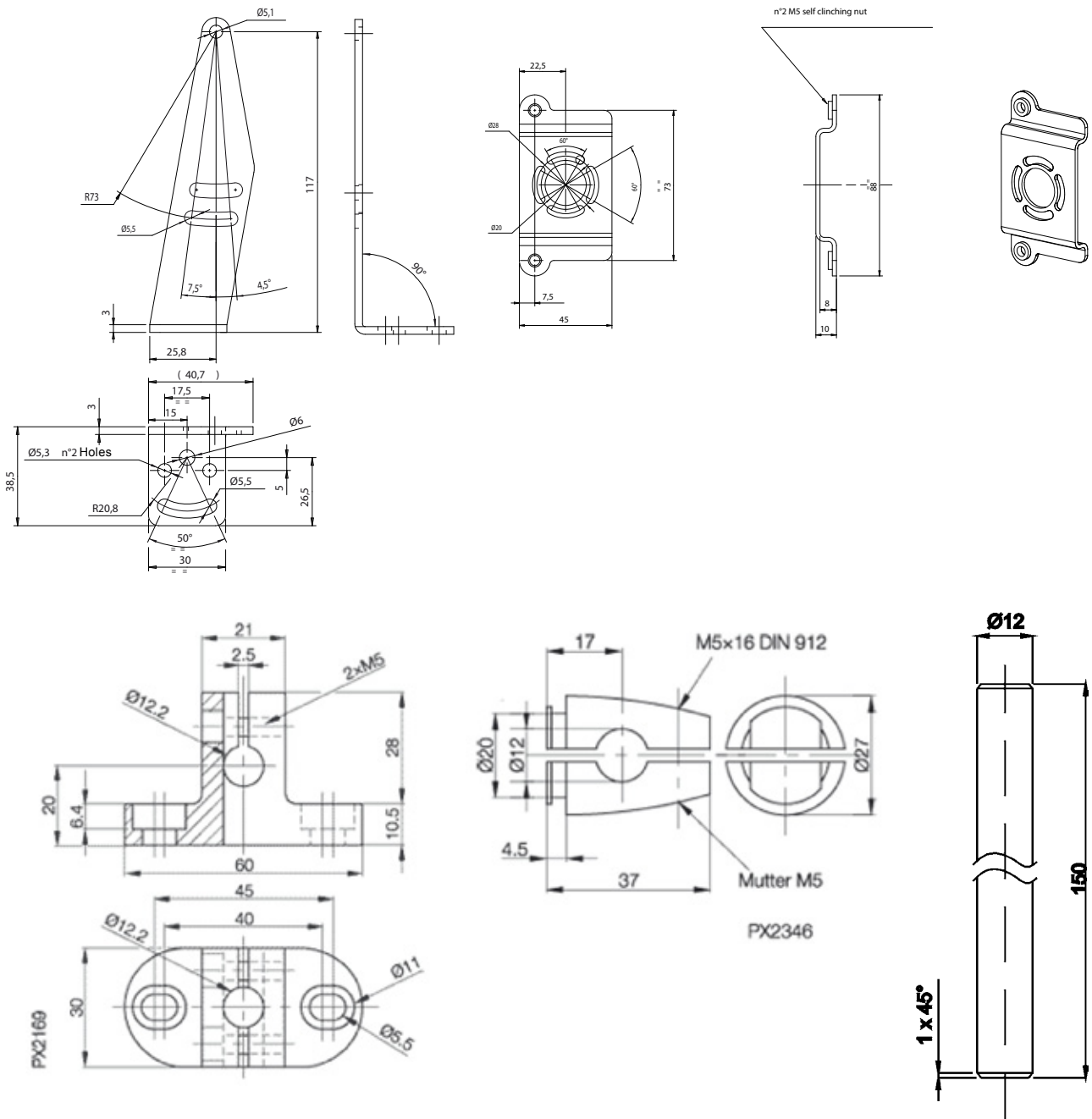
NOTE: THE SAFETY PHOTOCELLS LISTED ABOVE ARE CERTIFIED AND MUST BE USED ONLY WITH SAFETY CONTROL UNITS SG-BWS-T4 AND SG-BWS-T4-MT SERIES. NEITHER TECHNICAL AND FUNCTIONING COMPATIBILITY NOR CERTIFICATIONS ARE GUARANTEE IF USING THEM WITH OTHER BRAND CONTROL UNITS OR OLD/OBSOLETE DATALOGIC AUTOMATION CONTROL UNITS

ACCESSORIES SELECTION AND ORDER INFORMATION

MODEL	DESCRIPTION	CODE
CS-A1-02-U-03	4-pole M12 cable (axial) 3 m	95ASE1120
CS-A1-02-U-05	4-pole M12 cable (axial) 5 m	95ASE1130
CS-A1-02-U-10	4-pole M12 cable (axial) 10 m	95ASE1140
CS-A1-02-U-15	4-pole M12 cable (axial) 15 m	95ASE1150
CS-A1-02-U-25	4-pole M12 cable (axial) 25 m	95ASE1160
SP-40	fixed support for tubular M18 sensors	95ACC1370
SWING-18	adjustable support for plastic tubular M18 sensors	895000006
MICRO-18	support with micrometric regulation for tubular M18 sensors	95ACC1380
ST-5099	S300 FIXED BRACKET	95ACC2830
ST-5100	S300 FIXED BRACKET	95ACC2840
DataVS-MK-01	S300 MOUNTING KIT	95A901380

Note: for S5, SL5 fixing brackets and supports dimensional 2D dimensional drawings please refer to the corresponding datasheets

S300 ACCESSORY DRAWINGS



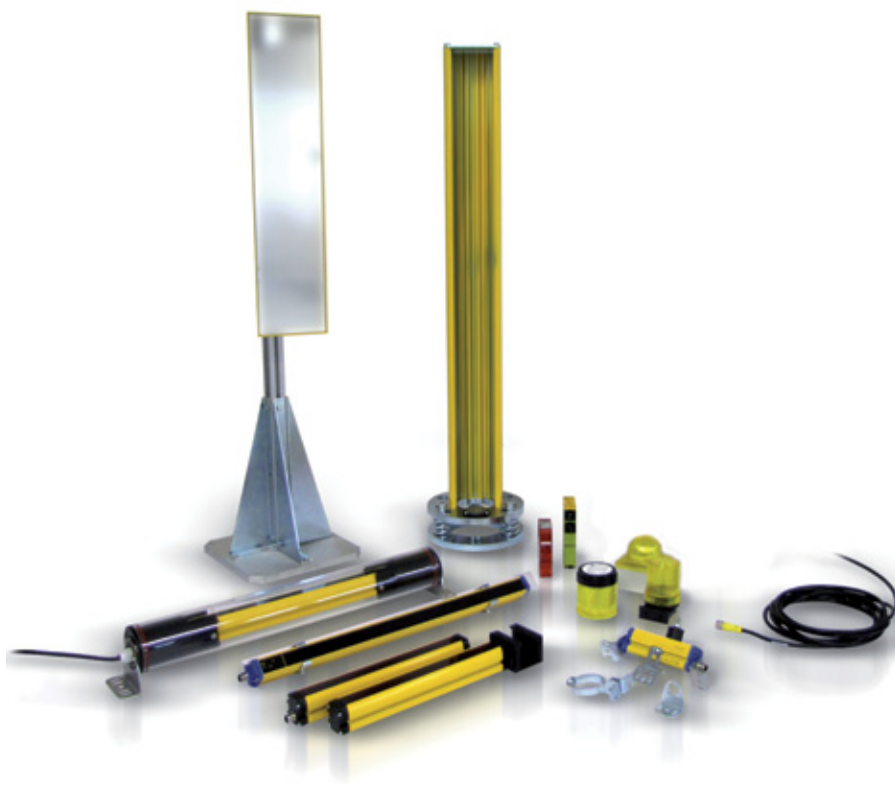
The company endeavours to continuously improve and renew its products; for this reason the technical data and contents of this catalogue may undergo variations without prior notice. For correct installation and use, the company can guarantee only the data indicated in the instruction manual supplied with the products.

SAFEASY™ ACCESSORIES

The accessory range for the **SAFEasy™** SE and SF2 safety light curtain series includes a complete offer of complementary parts for the installation and use of safety devices in plants and machinery. The deviating mirrors of the **SE-DM** series, useful to protect different sides of a machine, are available in different heights ranging from 150 mm to 1800 mm. The column and floor stands of safety light curtains and deviating mirrors of the **SE-S** series are available with heights ranging from 800 mm to 1800 mm. The protective stands of the **SE-P** series, ideal to guarantee device protection against shocks, also available in different heights ranging from 273 mm to 1743 mm. The laser pointer of the **SE-LP** series represents a valid support for the alignment and installation of the SE safety light curtain series, in particular for applications with long operating distances and / or using deviating mirrors. The **SE-SR2** safety relay guarantees the correct connection of the **SAFEasy™** safety light curtain series to machine stopping circuits. The series also includes Muting accessories: Muting signalling lamps of the **LMS** series and **SE-SRT** Muting connection box. The shielded cables of the **CV** series are available both in the standard axial version as well as in the 90° version; the latter particularly useful in applications that have reduced space. The fixing brackets, orientable, anti-vibration and anti-scratch supports of the **ST-K** series and the **TP** test pieces complete the offer.

HIGHLIGHTS

- Complete range of accessories for SAFEasy™ safety light curtains
- Deviating mirrors, fixing brackets and supports, protective stands
- Muting accessories: signalling lamps and Muting connection box
- Type 4 safety relays



SAFETY

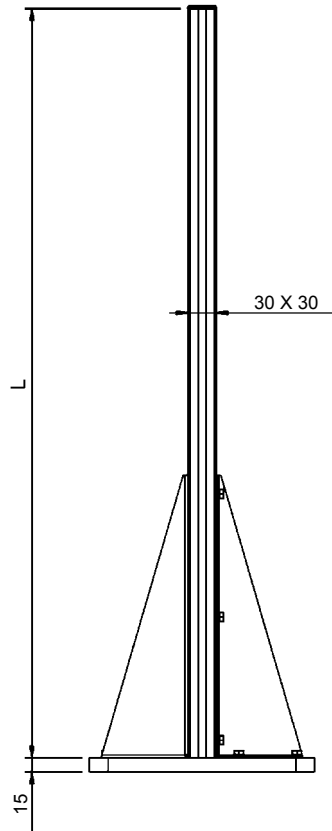
APPLICATIONS

Safety accessories series are suitable for all the application where Datalogic Automation safety light curtains are used to protect dangerous part of automatic machine.

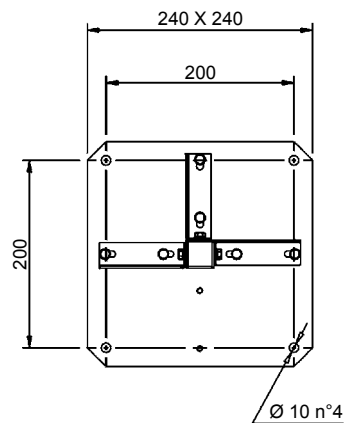


DEVIATING MIRRORS - SE-DM SERIES

The column and floor stands of the **SE-S** series, as well as being suitable for the **SAFEasy™** - SE safety light curtain series, can be used also with the SF2 safety light curtain series and deviating mirrors of the SE-DM series.



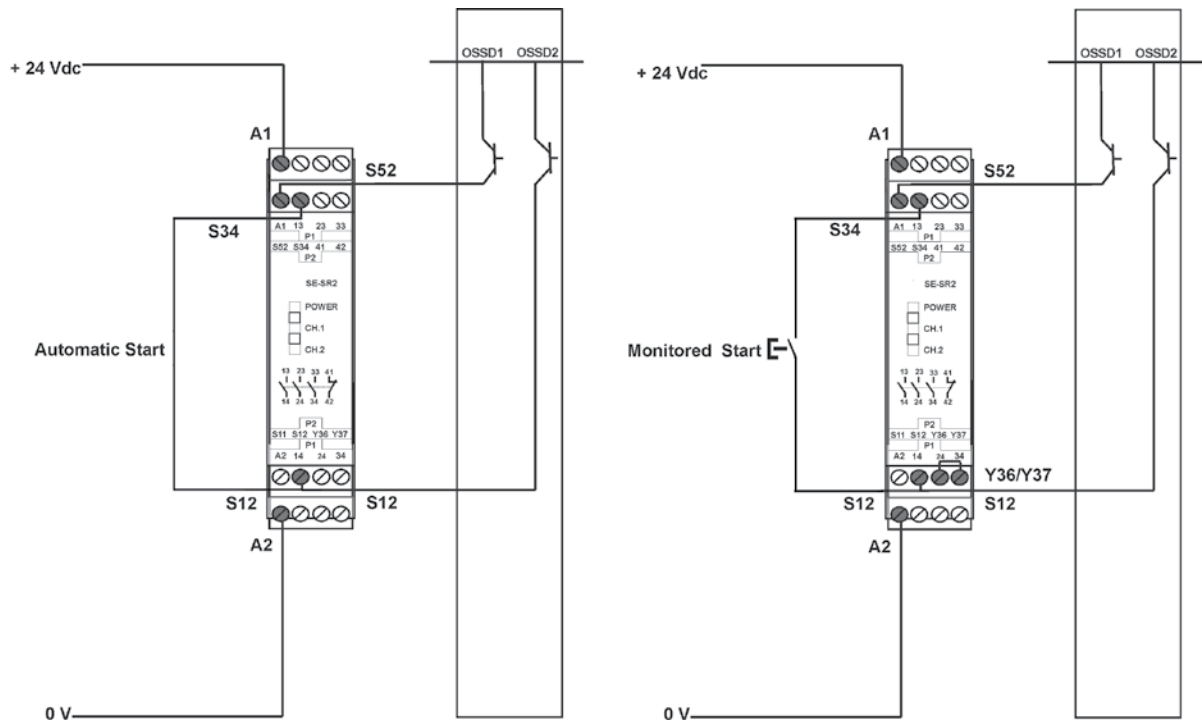
VERSION	L (mm)
SE-S 800	800
SE-S 1000	1000
SE-S 1200	1200
SE-S 1500	1500
SE-S 1800	1800



mm

* 30 x 30 mm profile dimensions for 800, 1000 and 1200 mm
 45 x 45 mm profile dimensions for 1500 and 1800 mm

SAFETY RELAYS - SE-SR2 SERIES



The drawings show the connection between SAFEasy™ safety light curtains and the type 4 safety relay of the SE-SR2 series operating in Automatic Start (left side) and Manual Start with monitoring (right side).

TEST PIECES - TP SERIES



The test pieces of the TP series allow to verify if the resolution of the SAFEasy™ safety light curtains is guaranteed inside the entire detection field. Models with Ø 14, 20, 30, 35, 40, 50 and 90 mm are available.

FIXING BRACKETS - ST-K SERIES

The **ST-KSTD** model represents the spare part kit composed of 4 standard fixing brackets for SE safety light curtains.

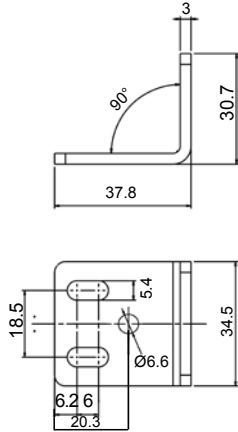
The **ST-K*OR** supports allow the orientation of the SE safety light curtains of $\pm 5^\circ$.

The **ST-K*AV** supports allow the absorption of the vibrations caused by the machinery where the SE safety light curtains are installed.

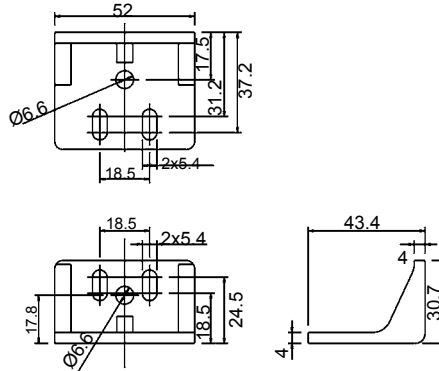
The **ST-KSF2STD** model represents the spare part kit composed of 12 standard fixing brackets for SF2 safety light curtains.

The **ST-KSF2** model represents the anti-scratch brackets (kit composed of 4 brackets) for SF2 safety light curtains.

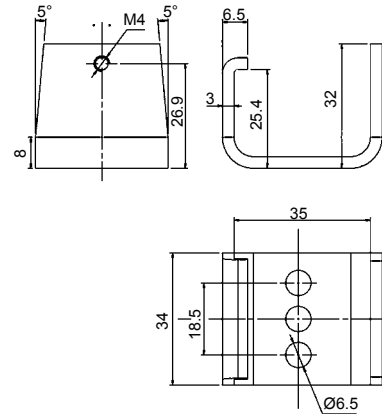
The **ST-KP*MP** model represents the plastic fixing brackets for the SE safety light curtains.



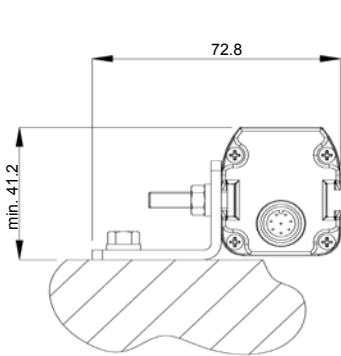
SE series: standard fixing bracket.



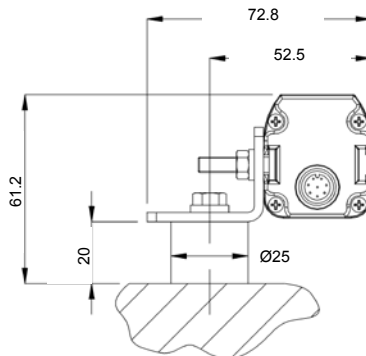
SE series: plastic fixing bracket.



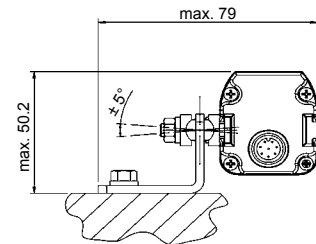
SF2 series: standard fixing bracket.



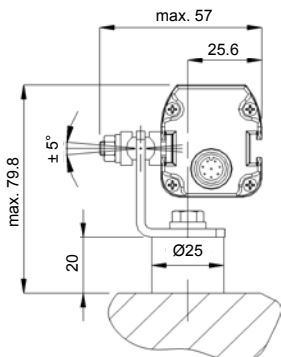
SE series: application with standard fixing bracket.



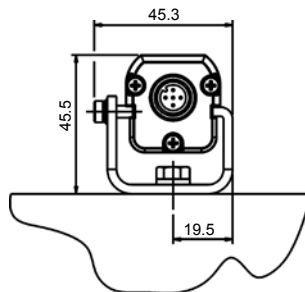
SE series: application with standard fixing bracket and ST-K*AV anti-vibration support.



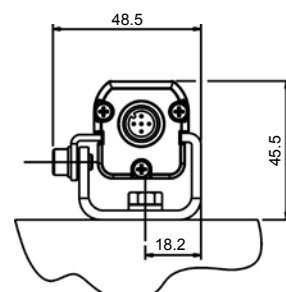
SE series: application with standard fixing bracket and ST-K*OR orientable support.



SE series: application with standard fixing bracket, ST-K*AV anti-vibration support and ST-K*OR orientable support.



SF2 series: application with standard fixing bracket. The standard fixing bracket is compatible with the SE standard fixing bracket, ST-K*AV anti-vibration support.



SF2 series: application with ST-KSF2 anti-scratch bracket.

mm